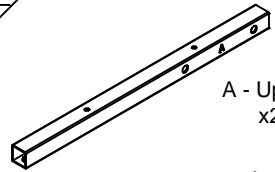
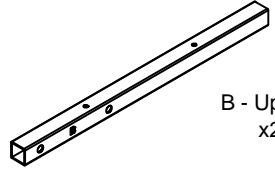


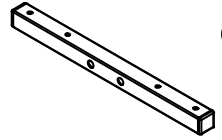
BOM



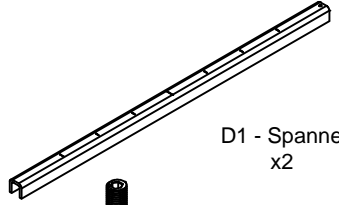
A - Upper frame - A
x2



B - Upper frame - B
x2



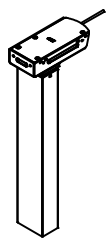
C - Upper frame - End
x2



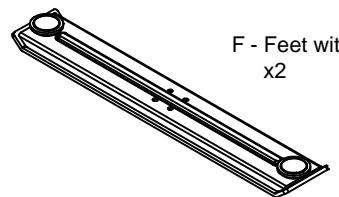
D1 - Spanner bars
x2



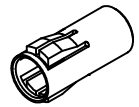
D2 - Set Screws
x4



E - Adjustable leg
x2



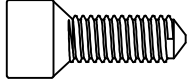
F - Feet with levelers
x2



G - Insert
x12



H - M6x15 Hex screw
x12



I - M6x15 Hex bolt
x8



J - #10x3/4" pan head screw
(9200818) x18



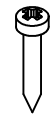
K - Worksurface
x1



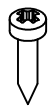
L - Wire Clips
x10



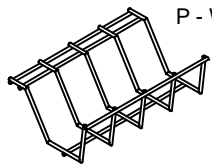
M - #6x5/8 flat head phillip
screw x10



N - #5x3/4 pan head phillip
screw x3

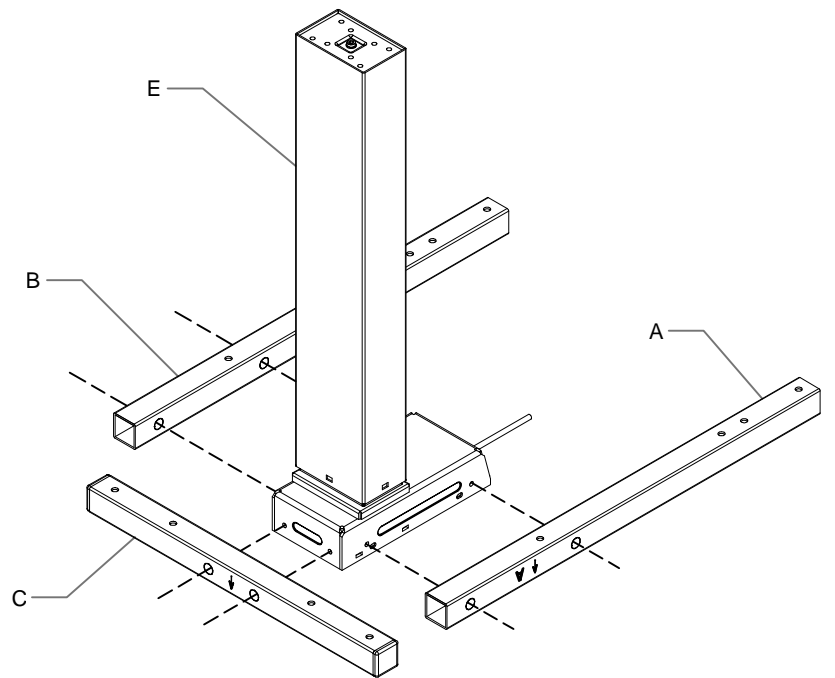


O - #8x5/8 pan head phillip
screw x2

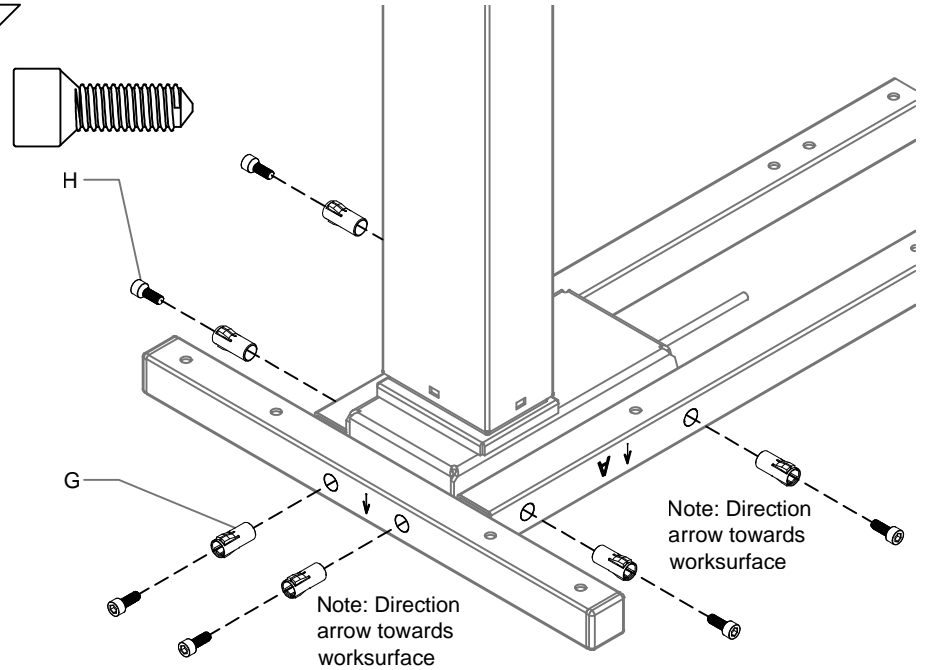


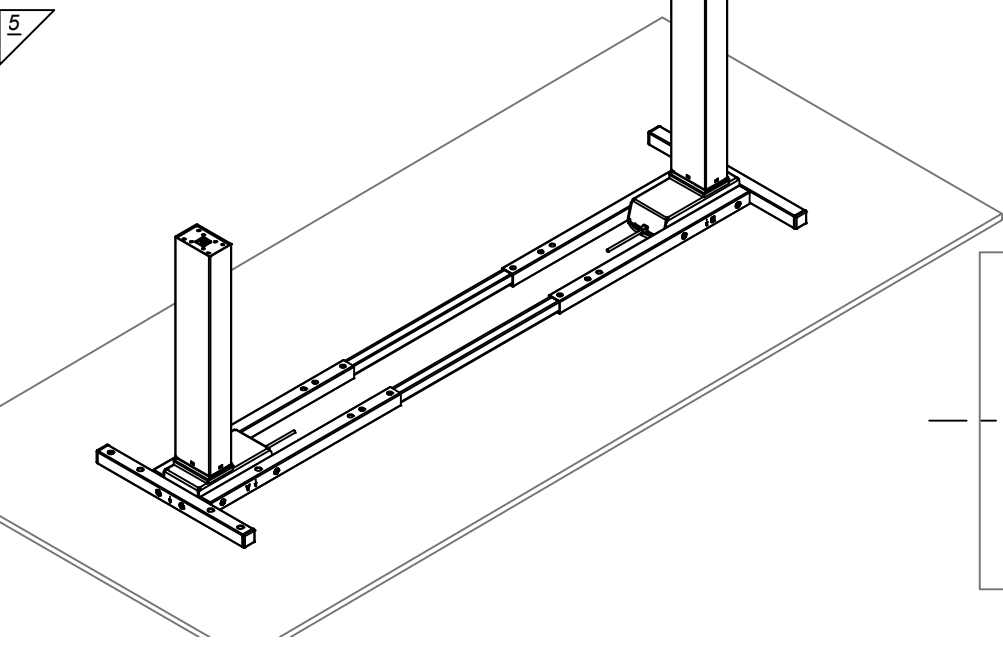
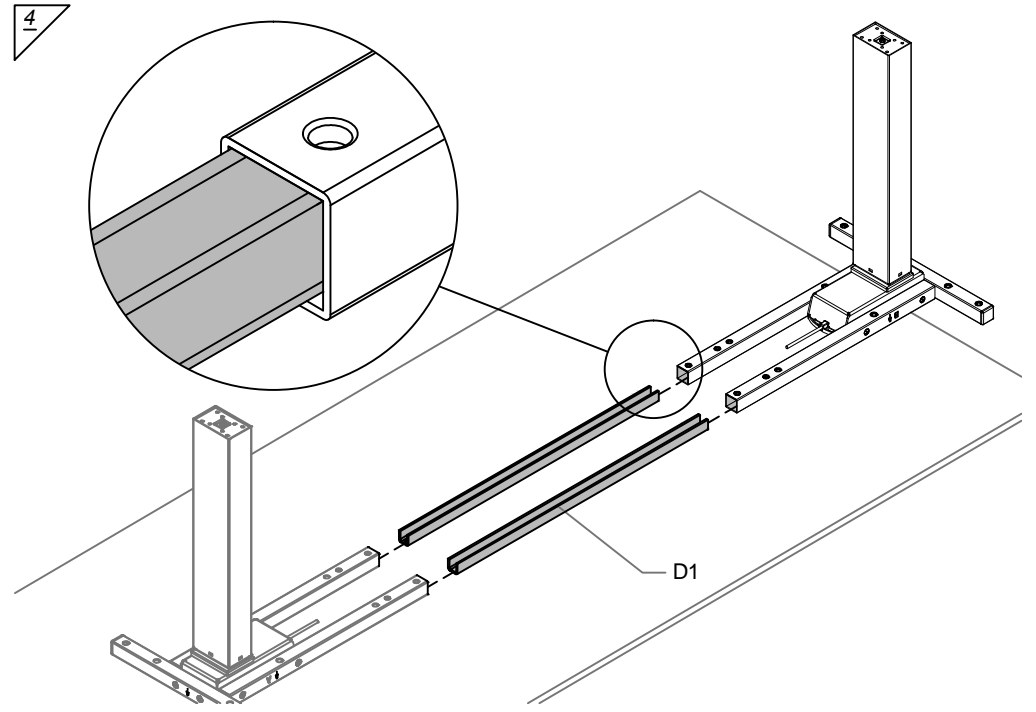
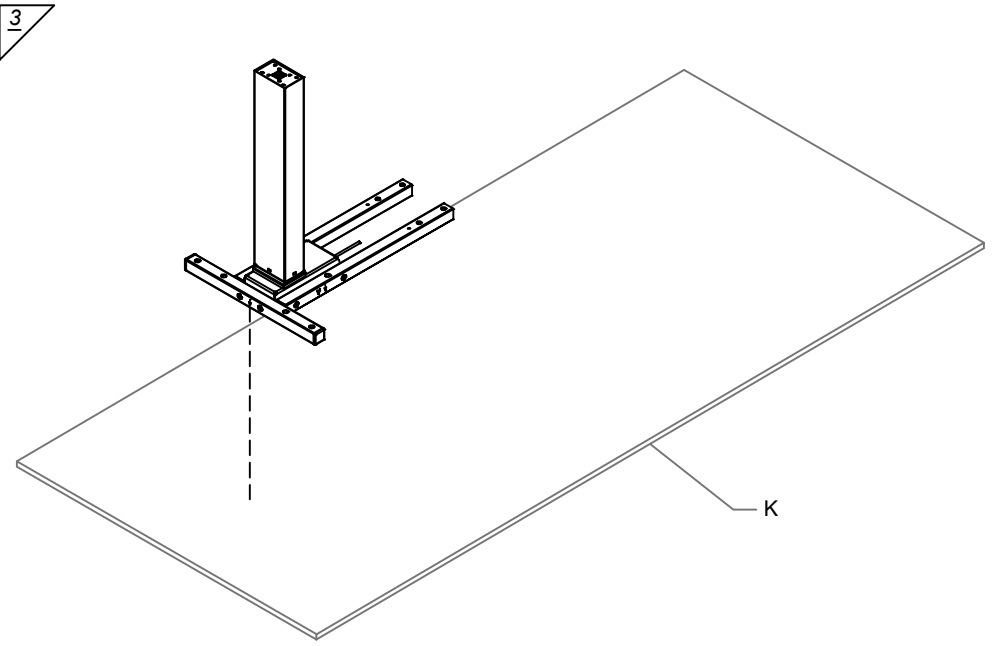
P - Wire basket x1

1

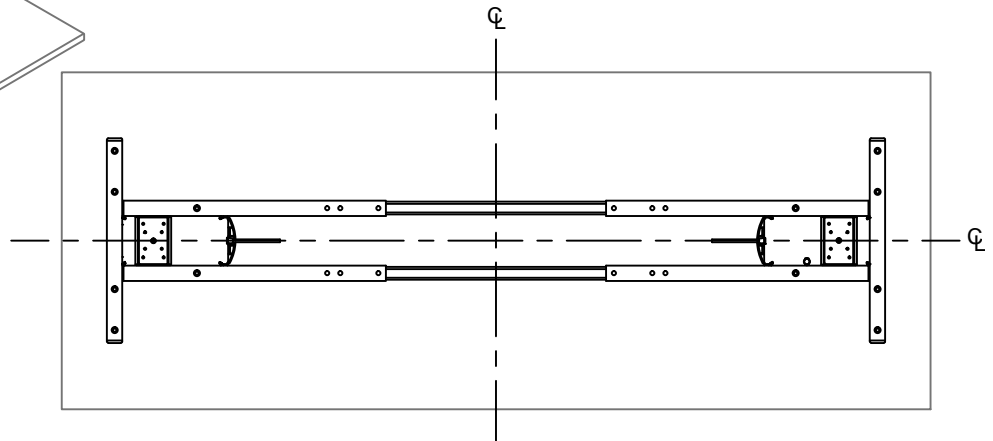


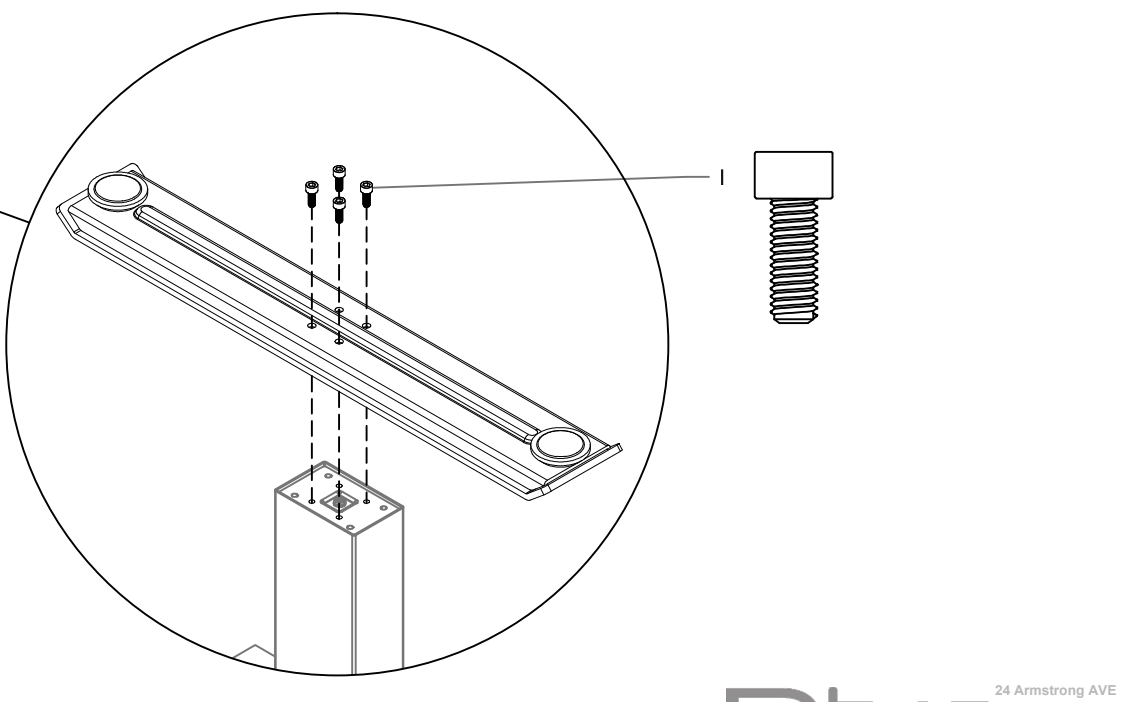
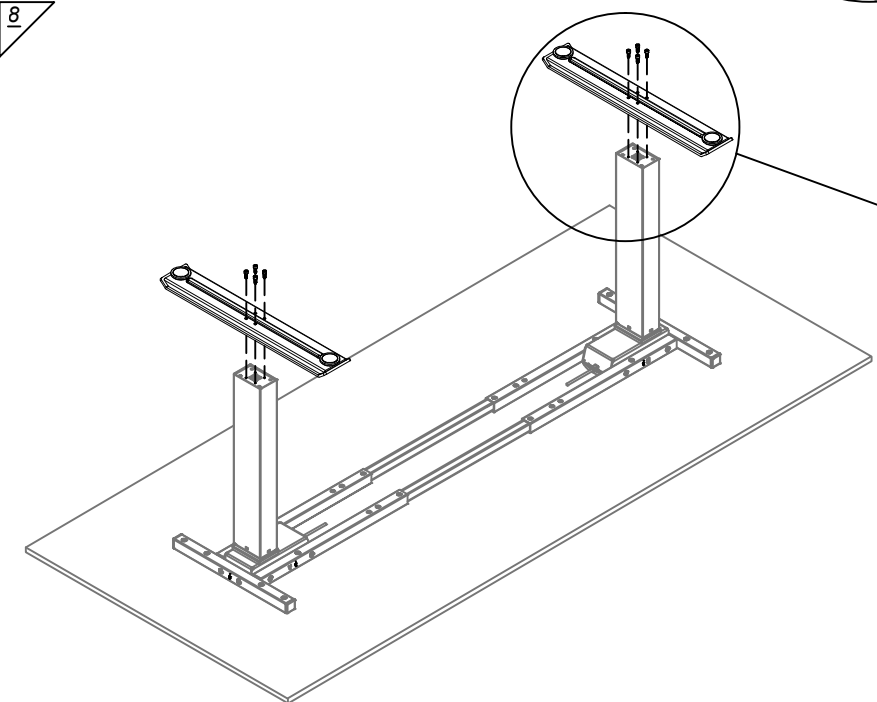
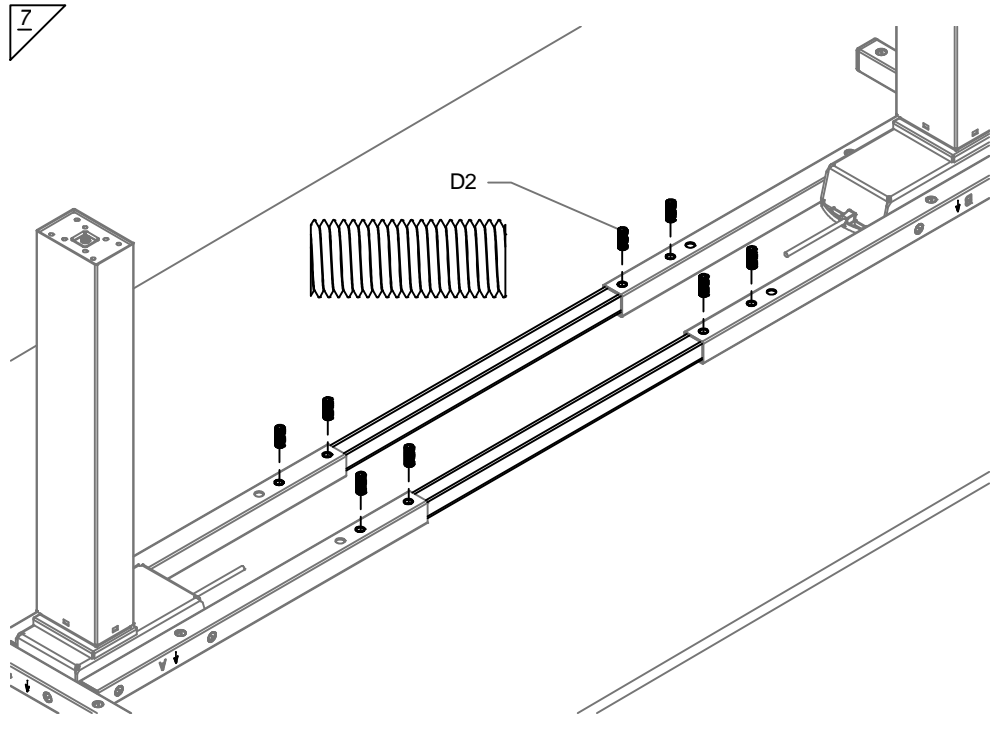
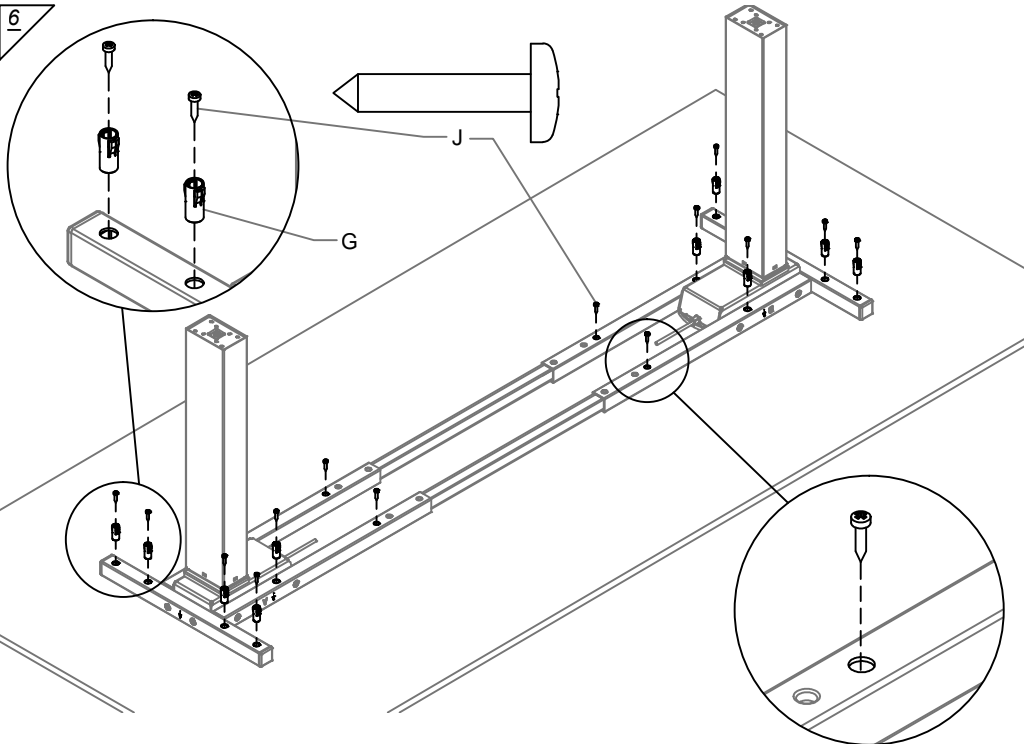
2



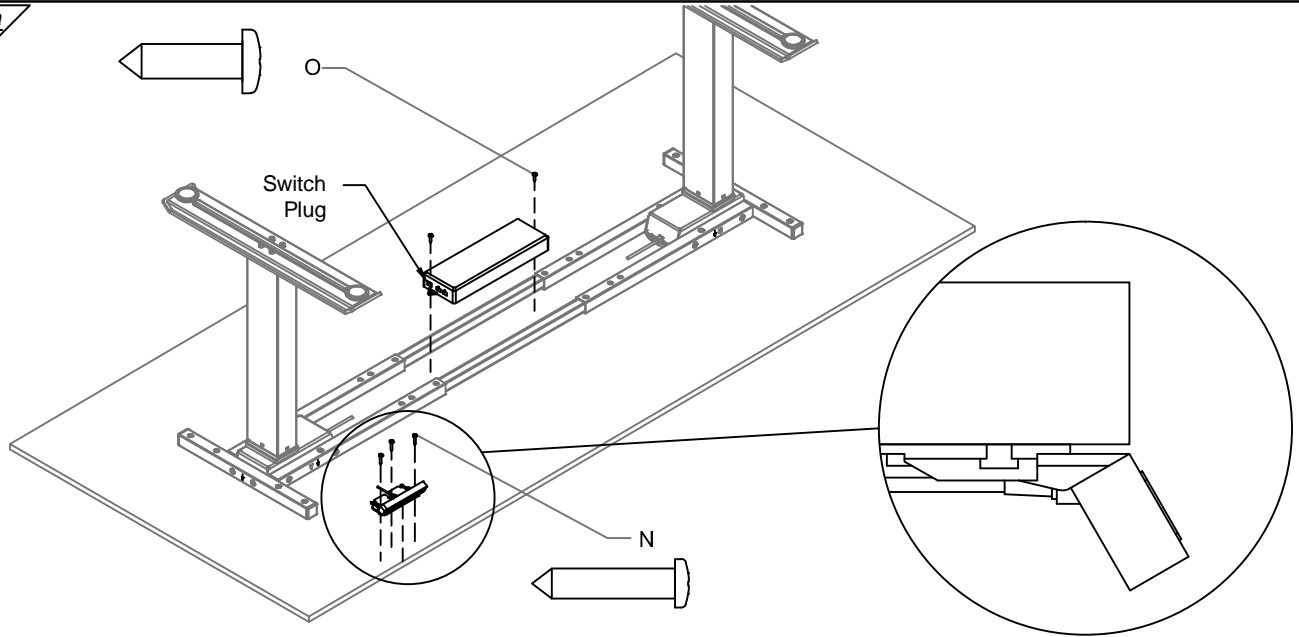


Note: Position Table Frame to on the center of the Worksurface.

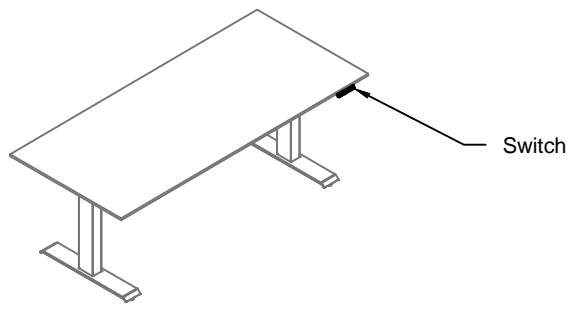




9a

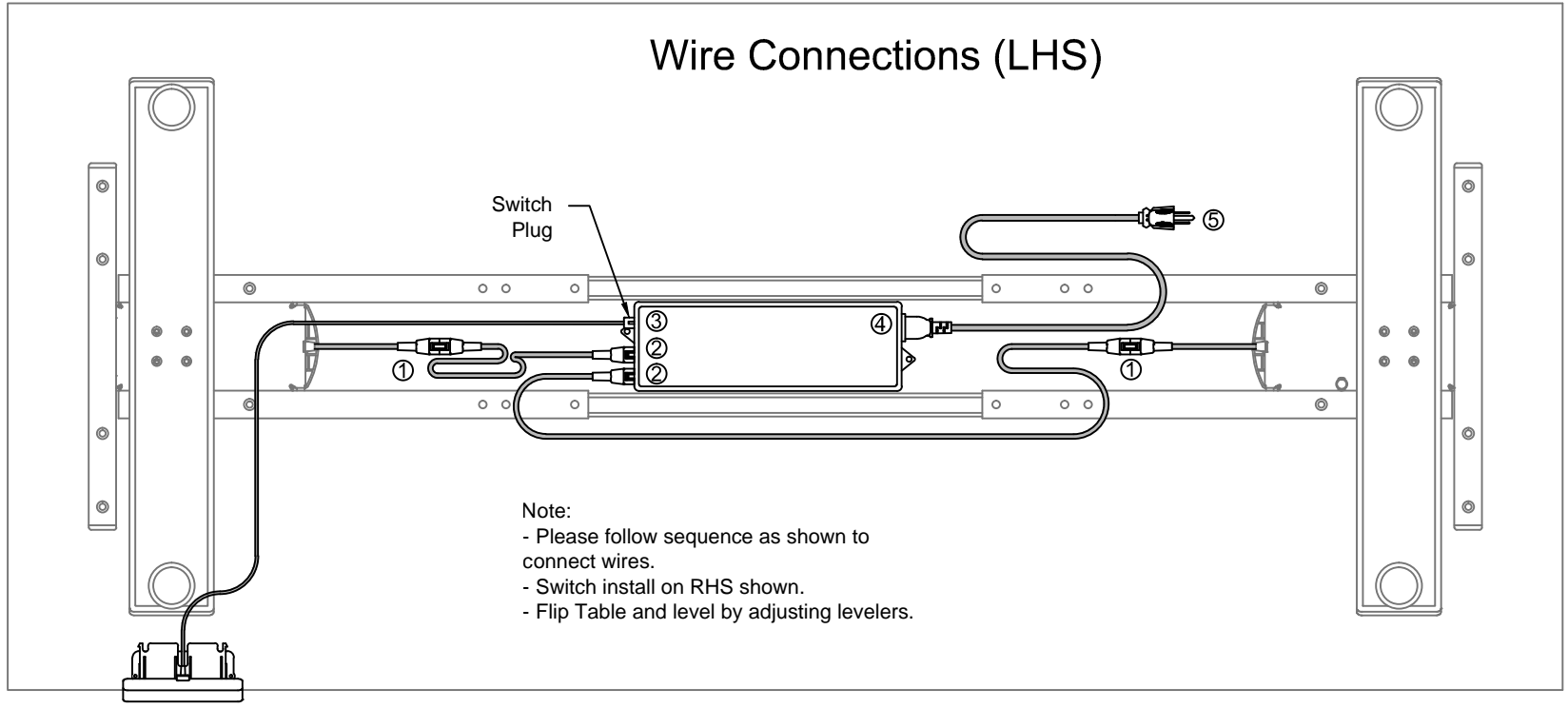


Note:
 - Switch can be installed RHS or LHS. RHS shown as an example.
 - Switch to be mounted to the bottom of Worksurface flush with front face as shown.



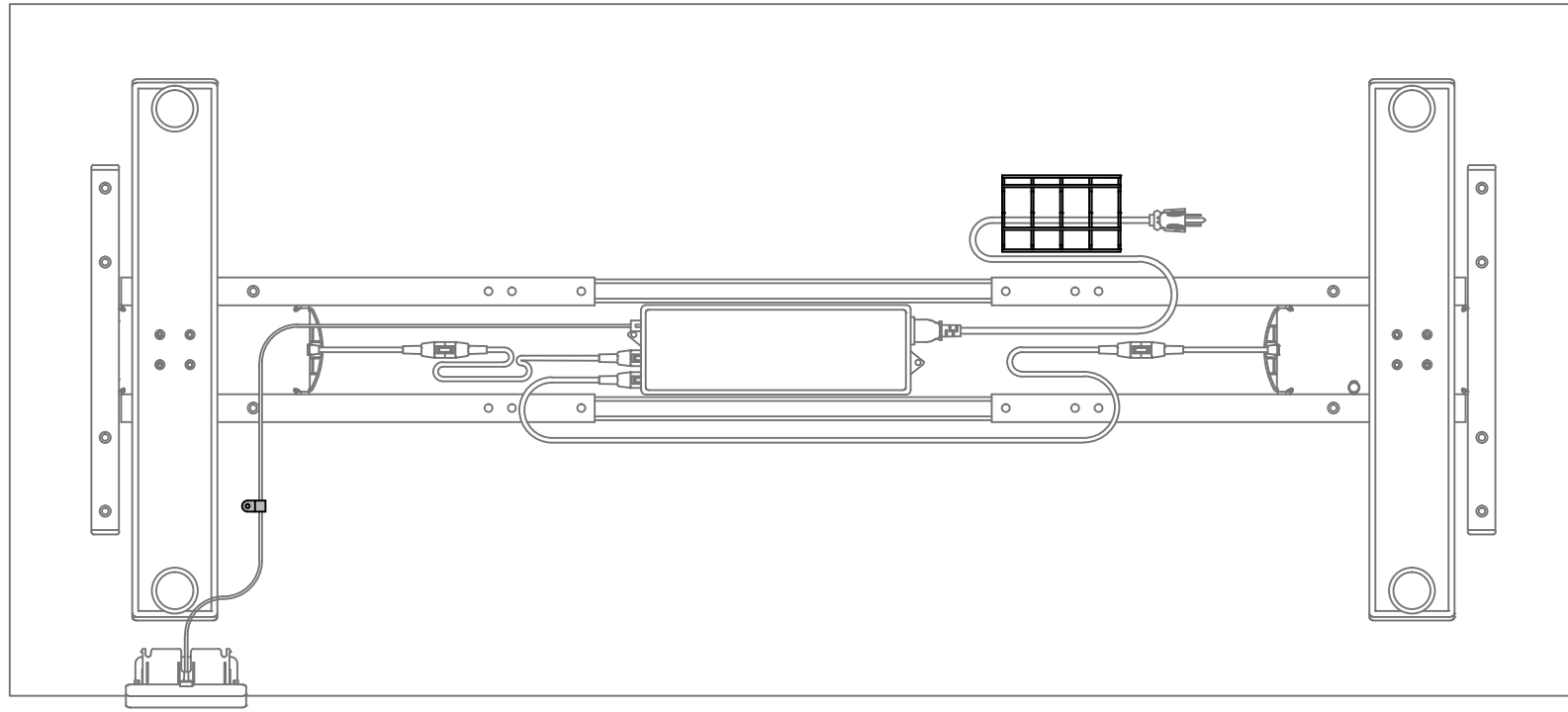
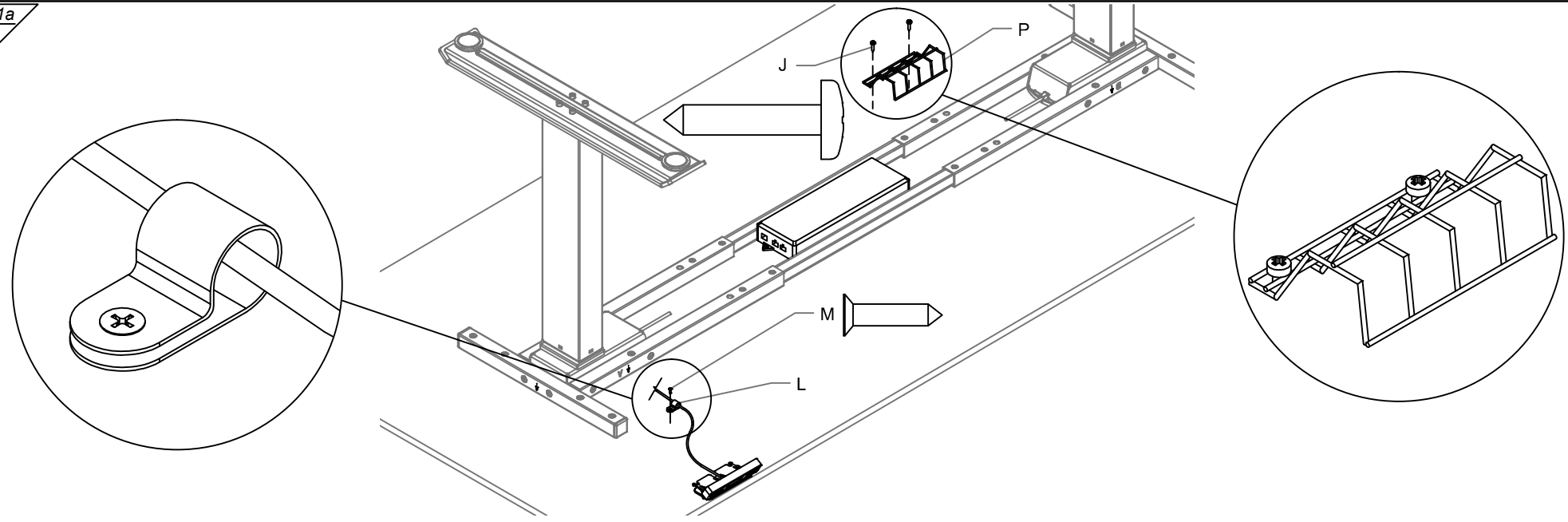
10a

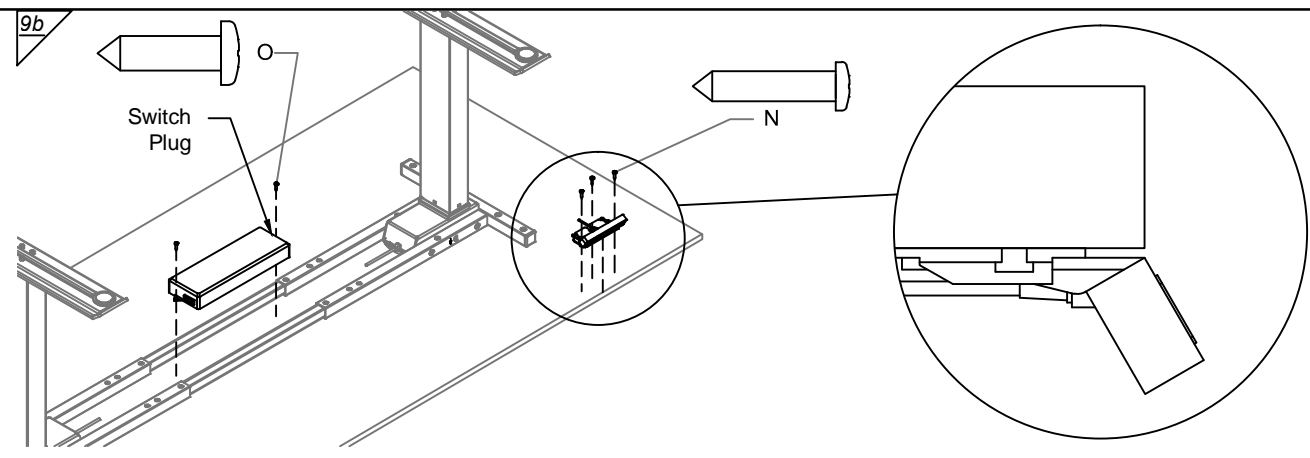
Wire Connections (LHS)



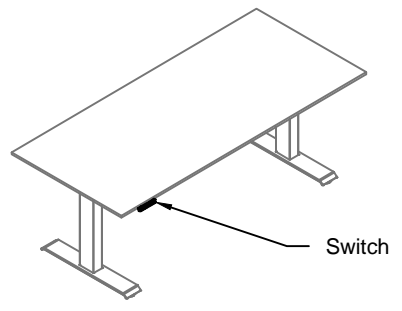
Note:
 - Please follow sequence as shown to connect wires.
 - Switch install on RHS shown.
 - Flip Table and level by adjusting levelers.

11a



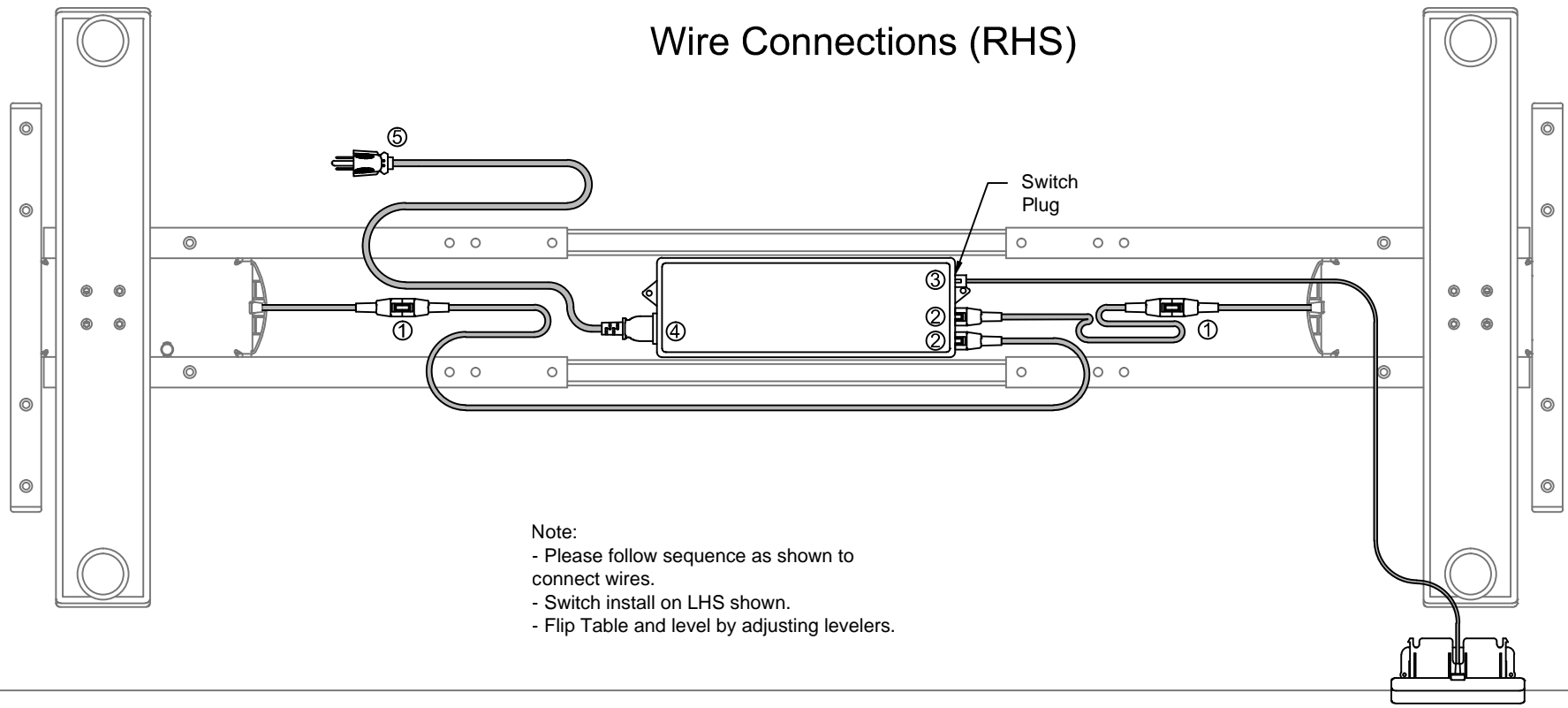


Note:
 - Switch can be installed RHS or LHS. LHS shown as an example.
 - Switch to be mounted to the bottom of Worksurface flush with front face as shown.



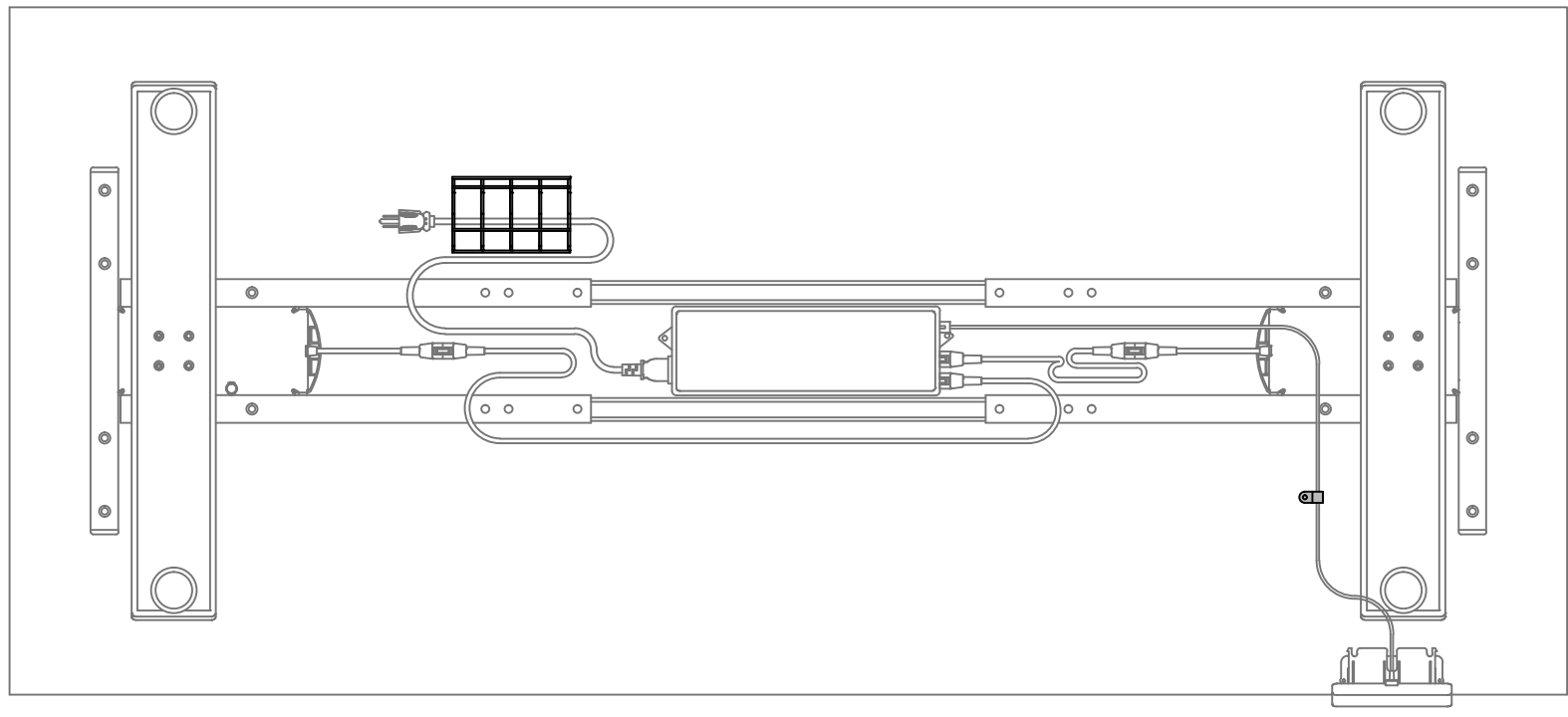
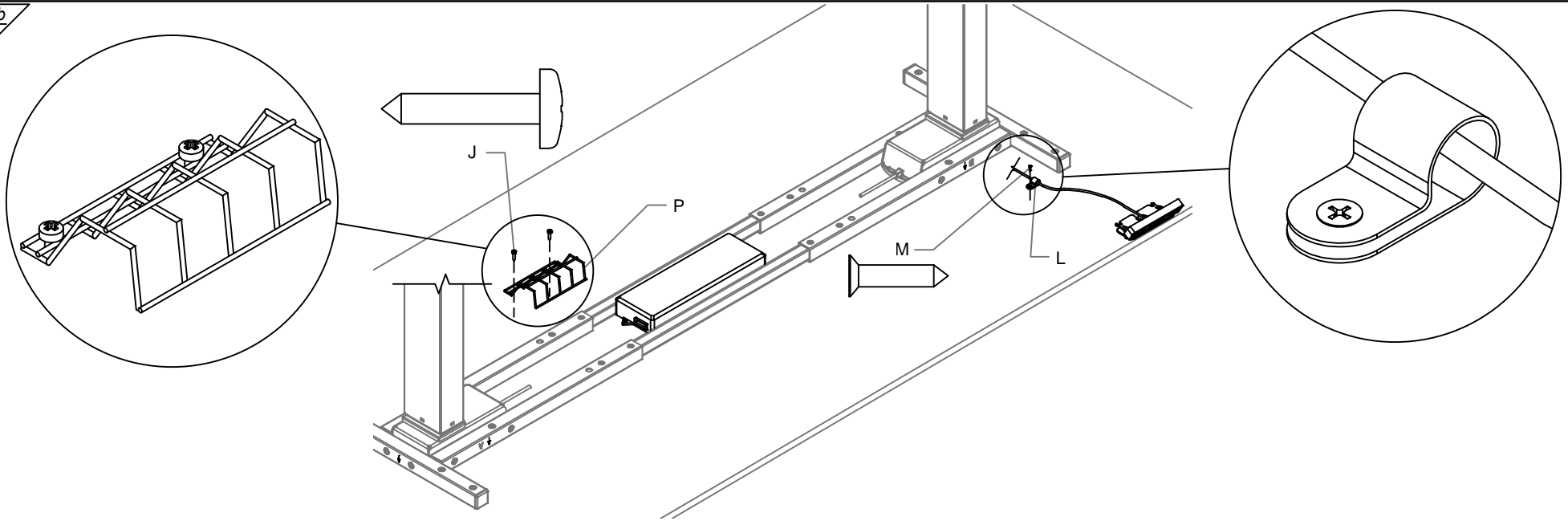
10b

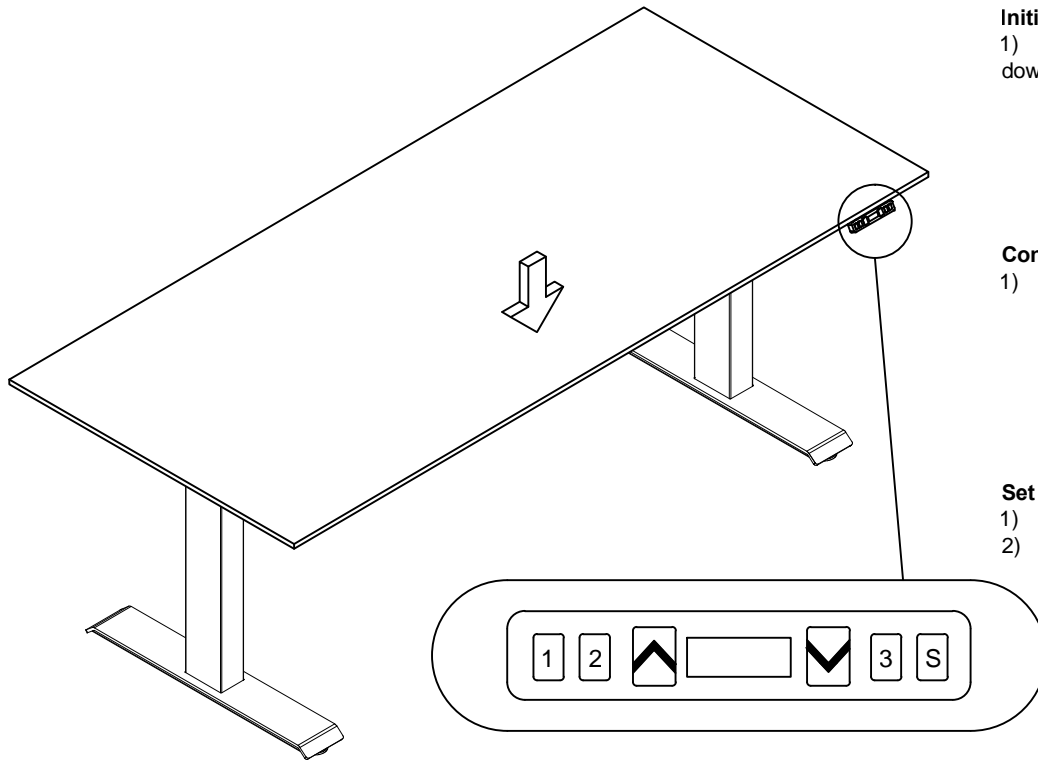
Wire Connections (RHS)



Note:
 - Please follow sequence as shown to connect wires.
 - Switch install on LHS shown.
 - Flip Table and level by adjusting levelers.

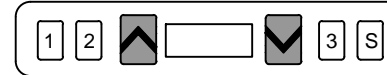
11b





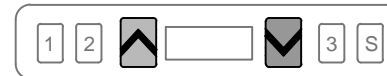
Initialisation of the systems

- 1) Press and hold **UP & DOWN** button simultaneously for more than 3 seconds until Legs move down to the lowest position and rebound 2-5mm.



Control height

- 1) Press and hold **UP** or **DOWN** button, and release button at desired height.



Set memory height

- 1) Press and hold **UP** or **DOWN** button, and release button at desired height.
- 2) Press button **S**, then press **1**, **2** or **3** within 3 seconds to save to memory.



Troubleshooting

Description of Problem	Solution 1	Solution 2	Solution 3
After connecting the power, press up or down, the legs have no response.	Re-initialize the table. Verify power is supplied to Table.	Check if the connection is correct.	Please contact your supplier.
After Connecting the power, press and hold up & down together, the legs have no response.	Check if the connection is correct. Verify power is supplied to table.	Please contact your supplier.	
The legs rising slowly.	Check if the input power is correct.	Please contact your supplier.	
The legs don't move according to your operation.	Please contact your supplier.		
One leg moves while the other leg does not move.	Check if the connection is correct.	Ensure all motor cables are properly connected .	Please contact your supplier.
Legs only move down and don't move up.	Re-initialize the table.	Please contact your supplier.	

**Note testing sequence should include the initialization sequence prior to usage