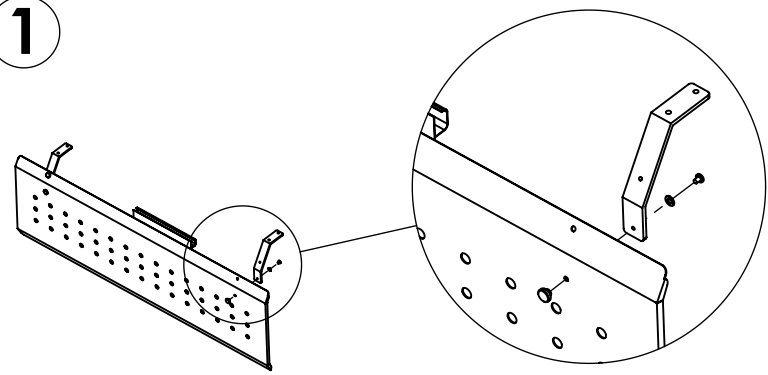
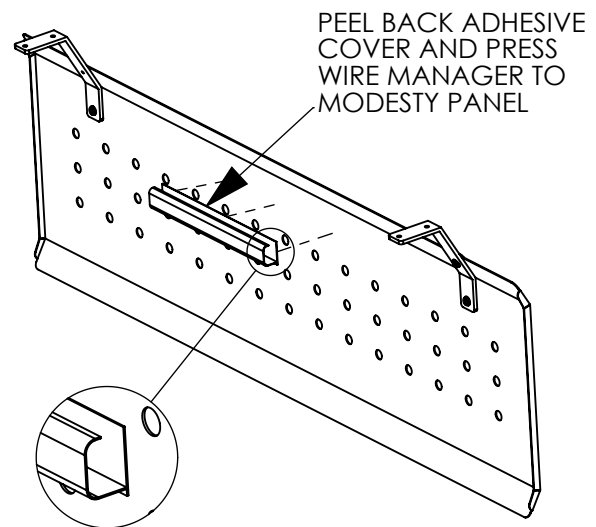


1



BOLT MODESTY BRACKET TO PANEL

2

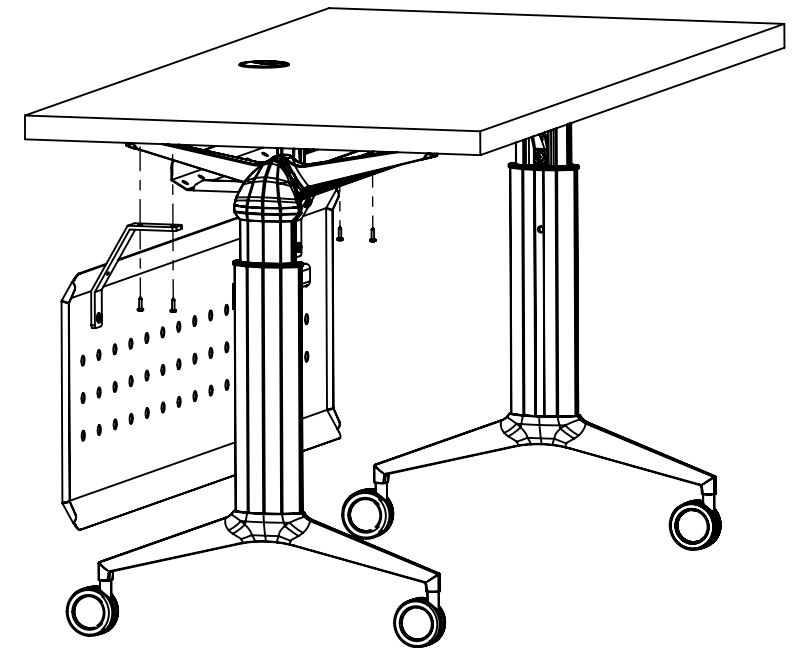


PEEL BACK ADHESIVE COVER AND PRESS WIRE MANAGER TO MODESTY PANEL

J-CHANNEL SELF ADHESIVE WIRE MANAGER

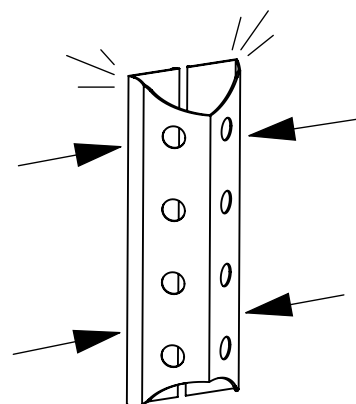
3

ALIGN AND SCREW MODESTY TO WORKSURFACE USING SELF TAPPING SCREWS

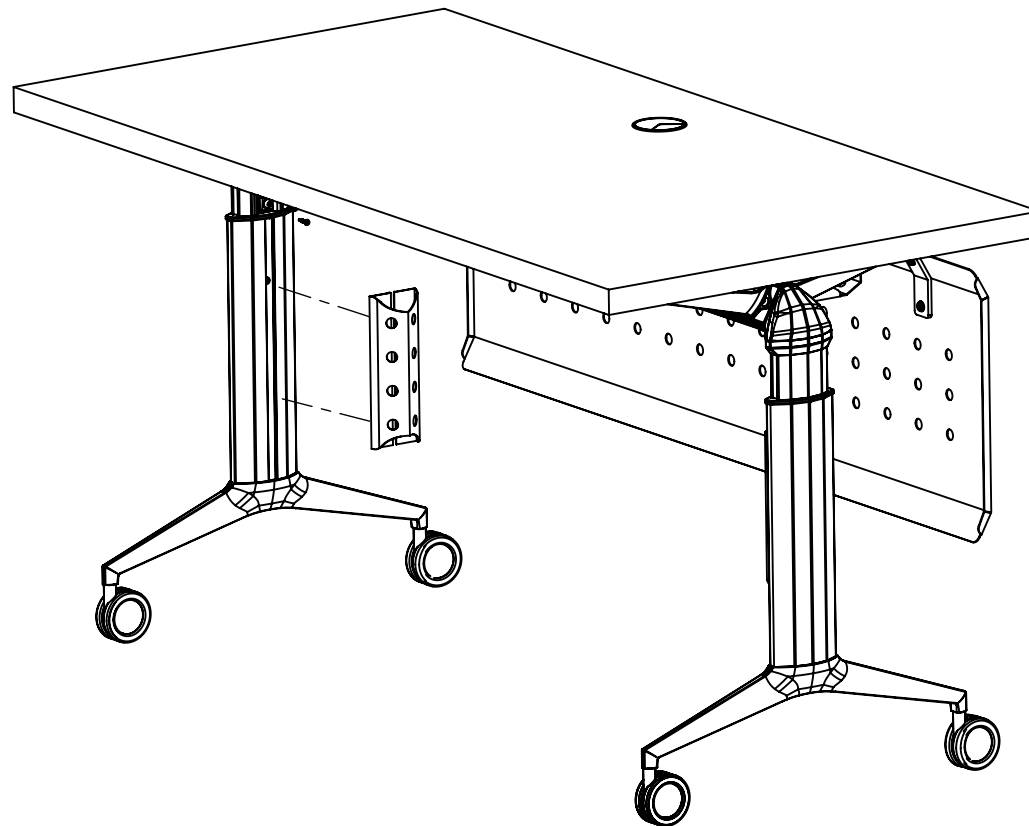


4

SQUEEZE SIDES TOGETHER BEFORE INSERTING INTO LEG



EEZE WIRE MANAGER



BRC Canada

24 ARMSTRONG AVE | GEORGETOWN | L7G4R9
877.260.4309 | info@brccanada.com



INSTALLATION GUIDE
EEZE Modesty & Wire Manager

PROPRIETARY AND CONFIDENTIAL
THE INFORMATION CONTAINED IN THIS DRAWING IS THE SOLE PROPERTY OF BRC CANADA. ANY REPRODUCTION IN PART OR AS A WHOLE WITHOUT THE WRITTEN PERMISSION OF BRC CANADA IS PROHIBITED.

NOV 2010 REVISION 1