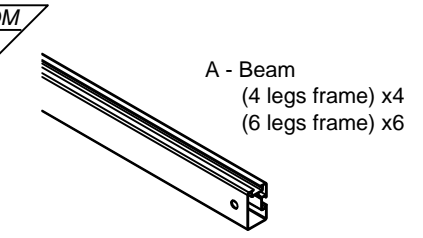
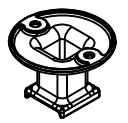


BOM



A - Beam
(4 legs frame) x4
(6 legs frame) x6



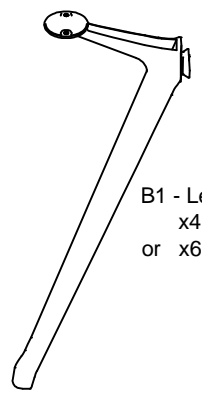
D1 - Standoff x4



D2 - Nut x4



D3 - Hexagon Socket Button Head
Cap M10 x20mm long
x4



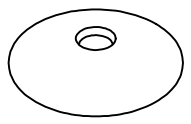
B1 - Leg
x4
or
x6



E - Leg Cover x1 per Leg



B2 - Foot Pin x1 per leg



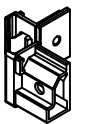
B3 - Foot x1 per leg



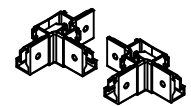
F1 - 2way Connector Cover
x1 per 2way Connector



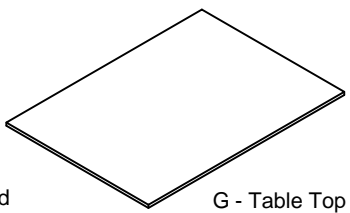
F2 - 3way Connector Cover
x1 per 3way Connector



C1 - 2way Connection x4



C2 - 3way Connection x2
(Optional for 6 legs frame)



G - Table Top



C3 - Hexagon Socket Button Head
Cap M10 x12mm long
x2 per Beam

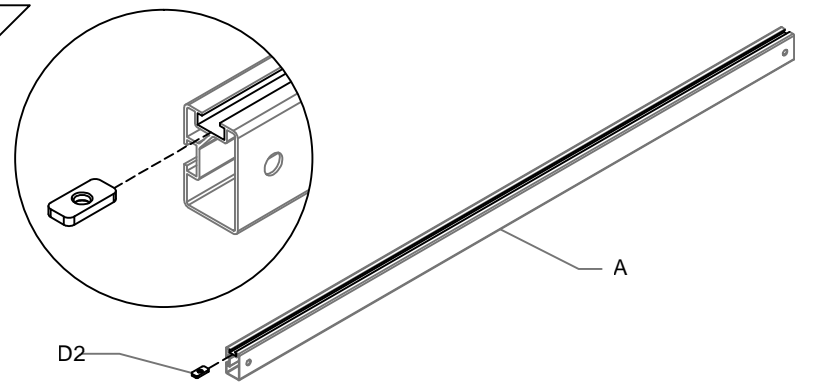


C4 - Socket Cap M8x20mm long
x1 per leg

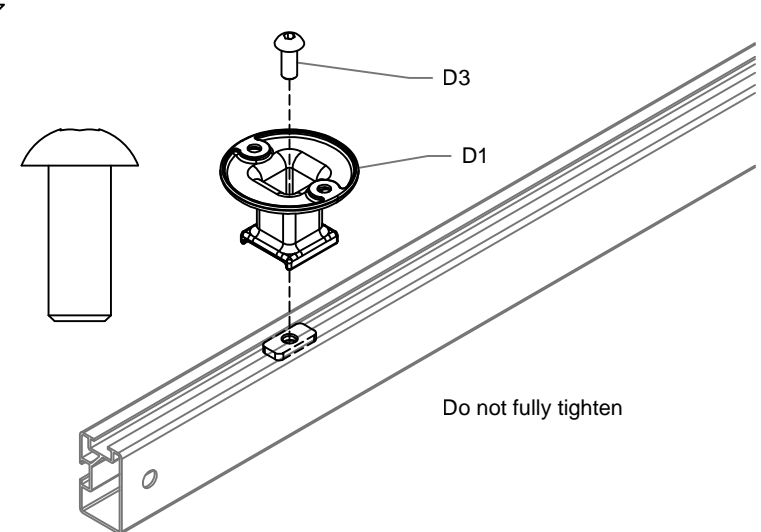


H - #10x3/4" Quad Zinc
Wood Screw

1

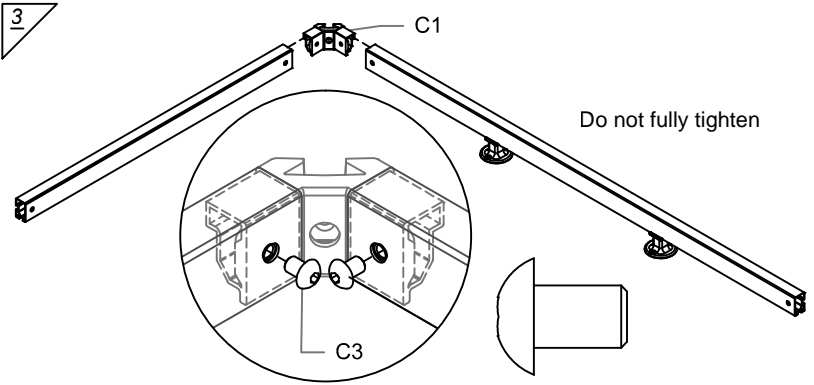


2



Do not fully tighten

3



Do not fully tighten

