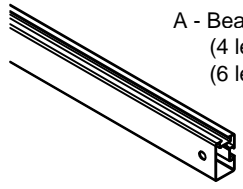
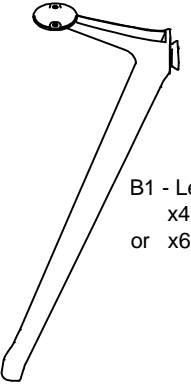

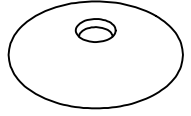
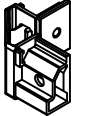
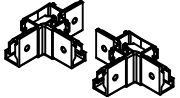


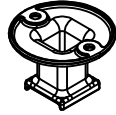

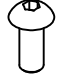



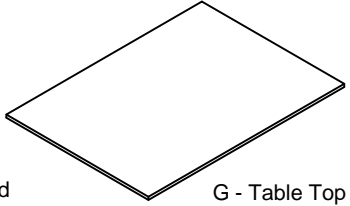

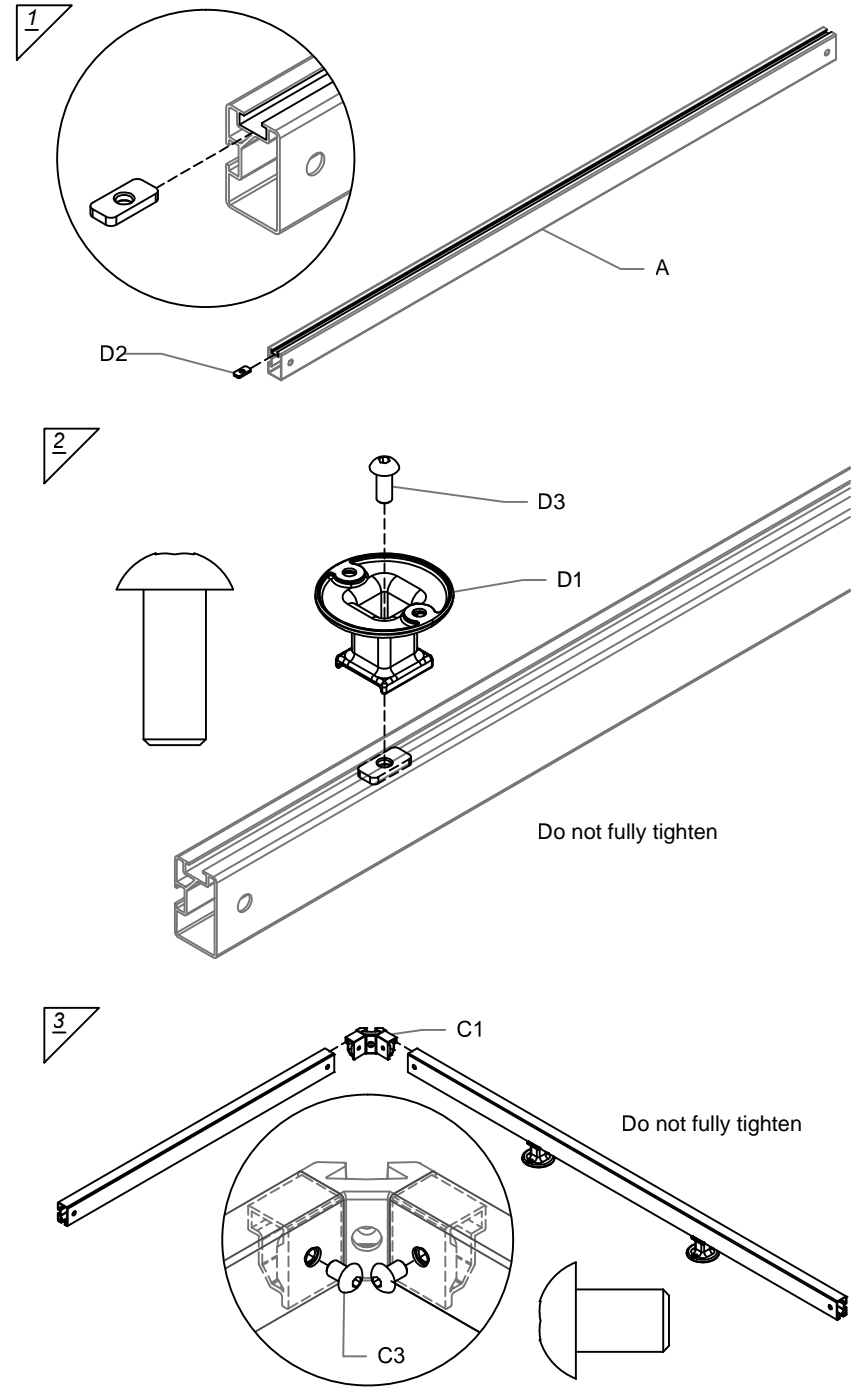
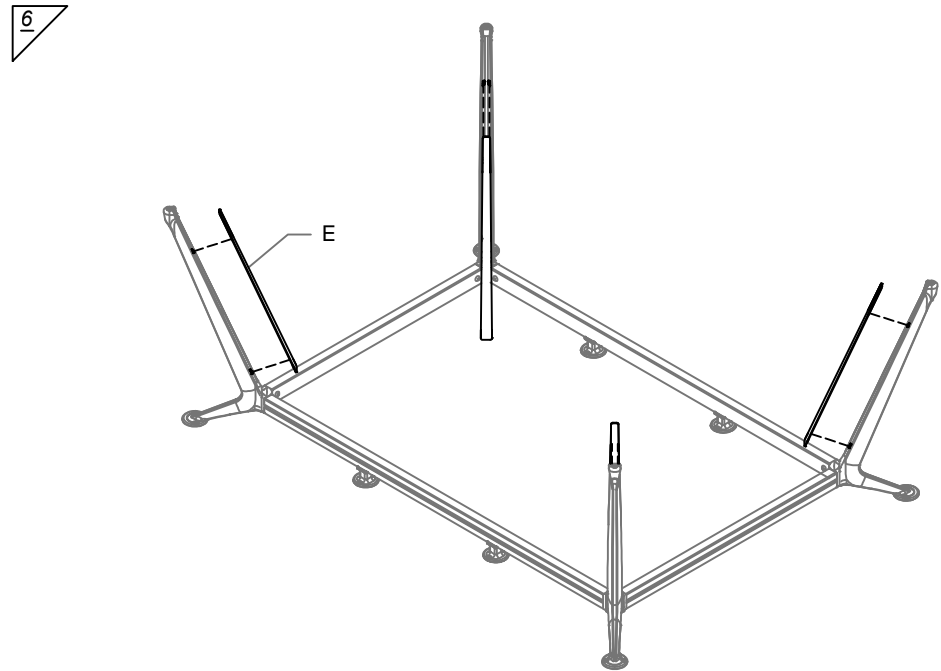
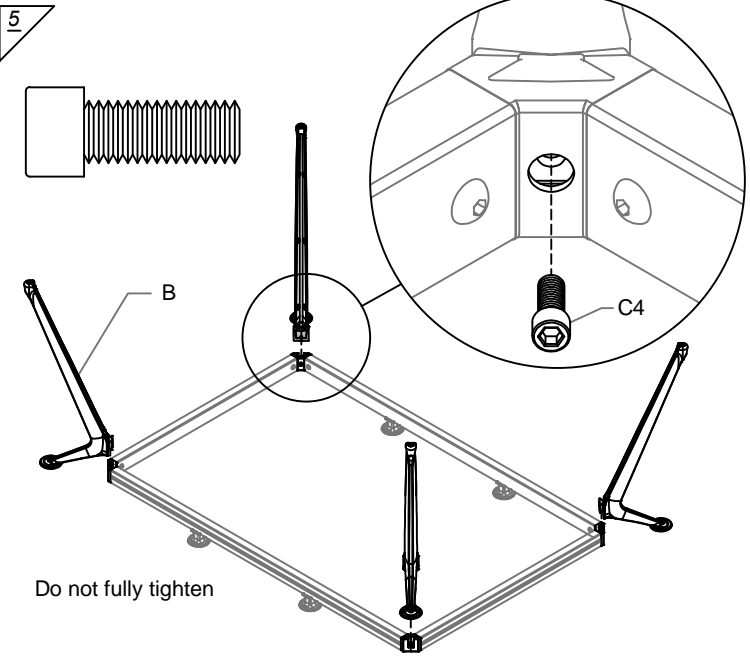
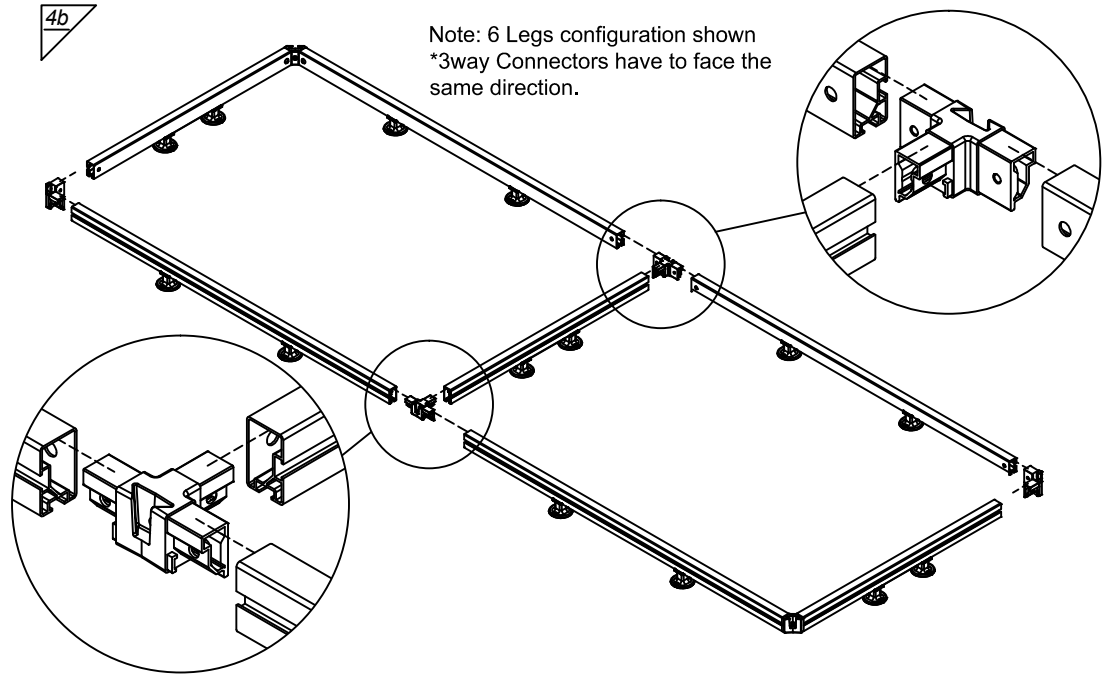
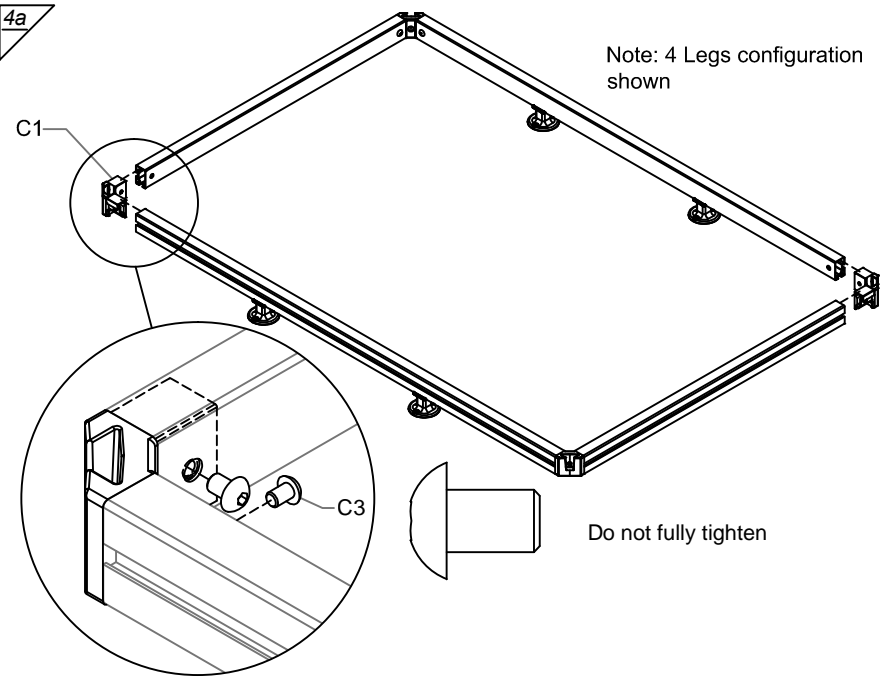
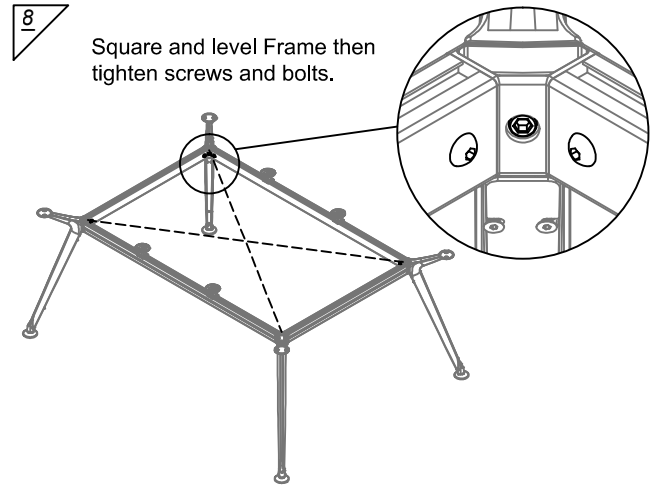
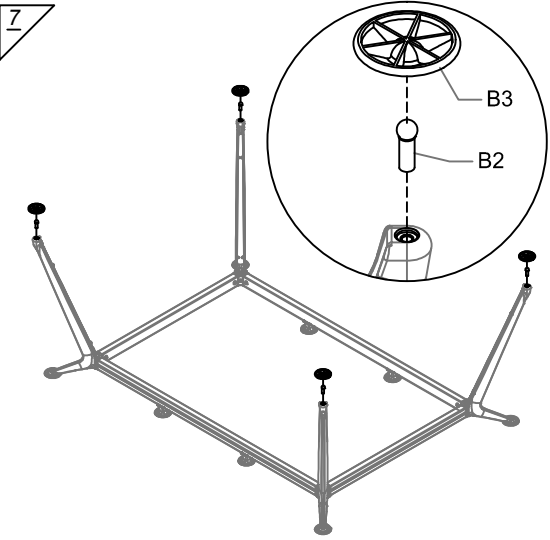


BOM

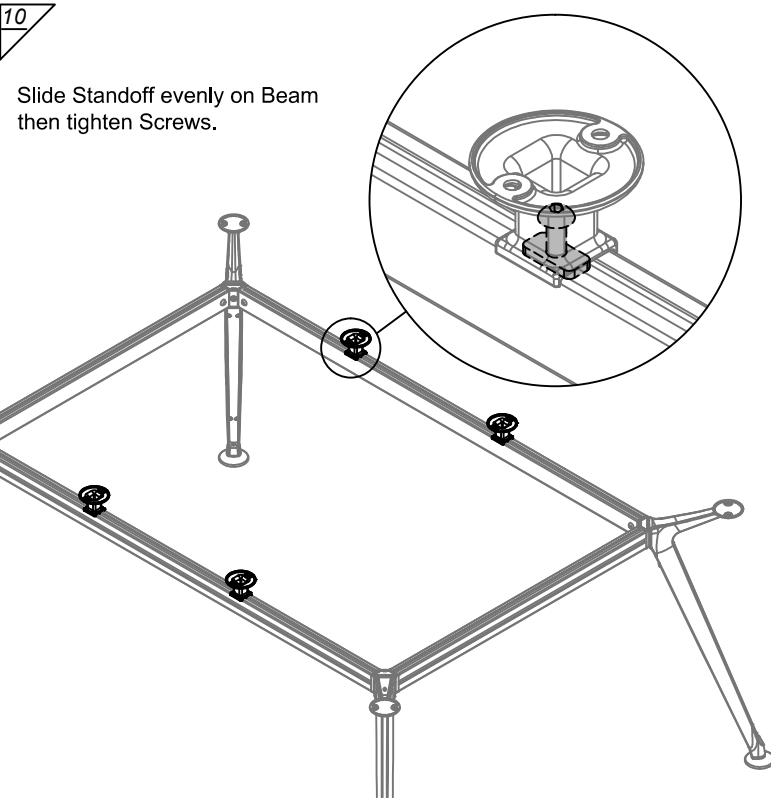
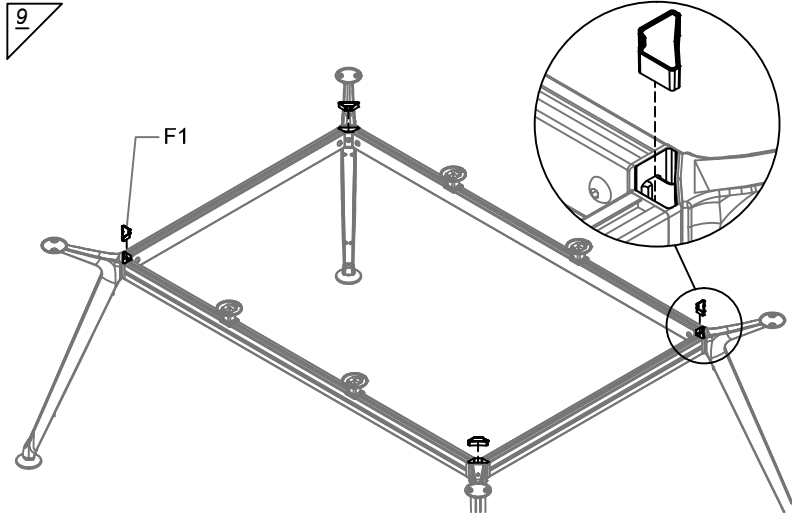
-  A - Beam
(4 legs frame) x4
(6 legs frame) x6
-  B1 - Leg
x4
or x6
-  B2 - Foot Pin x1 per leg
-  B3 - Foot x1 per leg
-  C1 - 2way Connection x4
-  C2 - 3way Connection x2
(Optional for 6 legs frame)
-  C3 - Hexagon Socket Button Head
Cap M10 x12mm long
x2 per Beam
-  C4 - Socket Cap M8x20mm long
x1 per leg
-  D1 - Standoff x4
-  D2 - Nut x4
-  D3 - Hexagon Socket Button Head
Cap M10 x20mm long
x4
-  E - Leg Cover x1 per Leg
-  F1 - 2way Connector Cover
x1 per 2way Connector
-  F2 - 3way Connector Cover
x1 per 3way Connector
-  G - Table Top
-  H - #10x3/4" Quad Zinc
Wood Screw



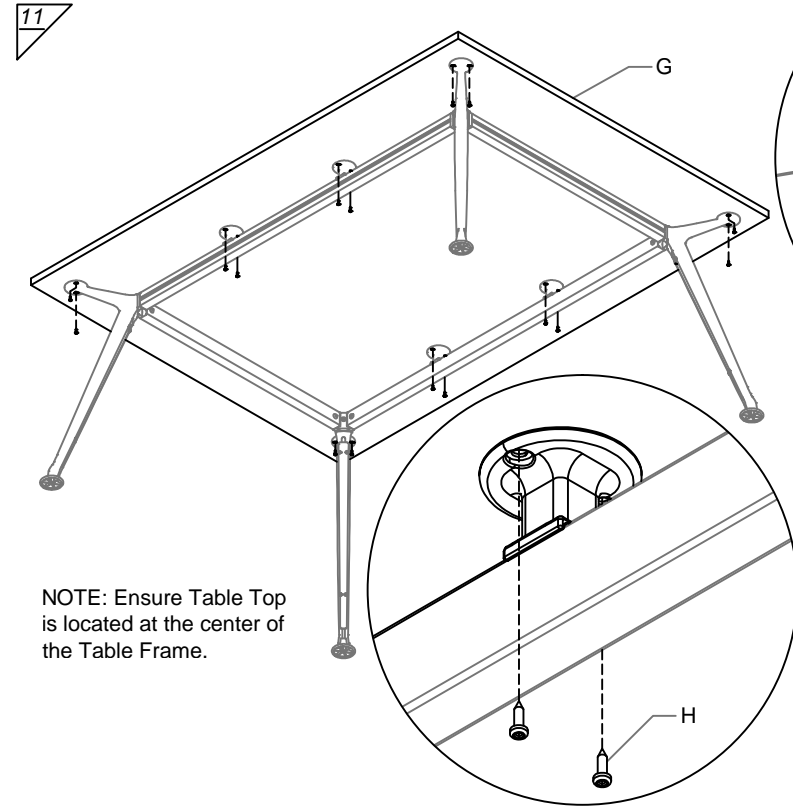




Square and level Frame then tighten screws and bolts.



Slide Standoff evenly on Beam then tighten Screws.



NOTE: Ensure Table Top is located at the center of the Table Frame.

