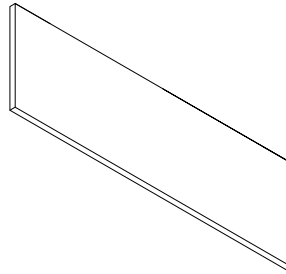
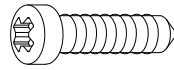
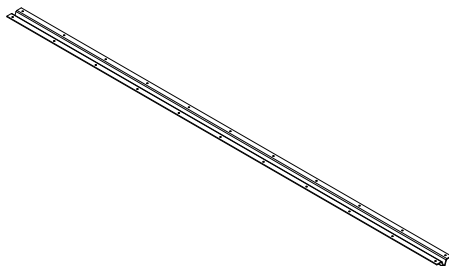
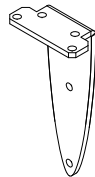
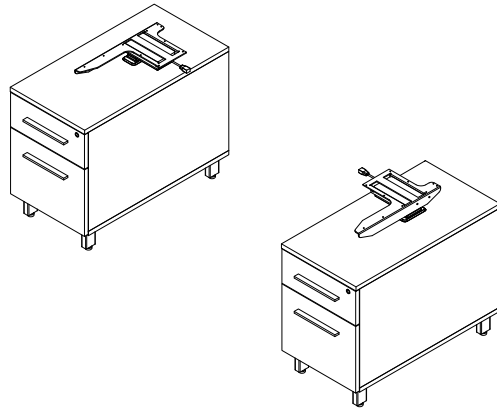
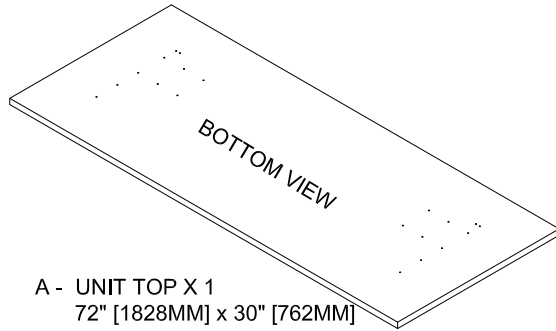


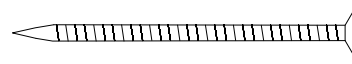
BOM



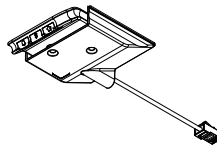
G - (9200951) #8A, 1-1/4" FLAT HEAD X 2



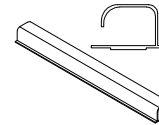
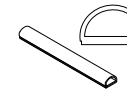
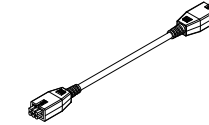
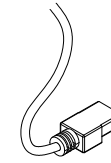
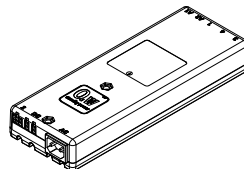
H - (9200837) #8A, 2" FLAT HEAD X 2



I - DIGITAL DISPLAY WITH BLUETOOTH (9100254) x1

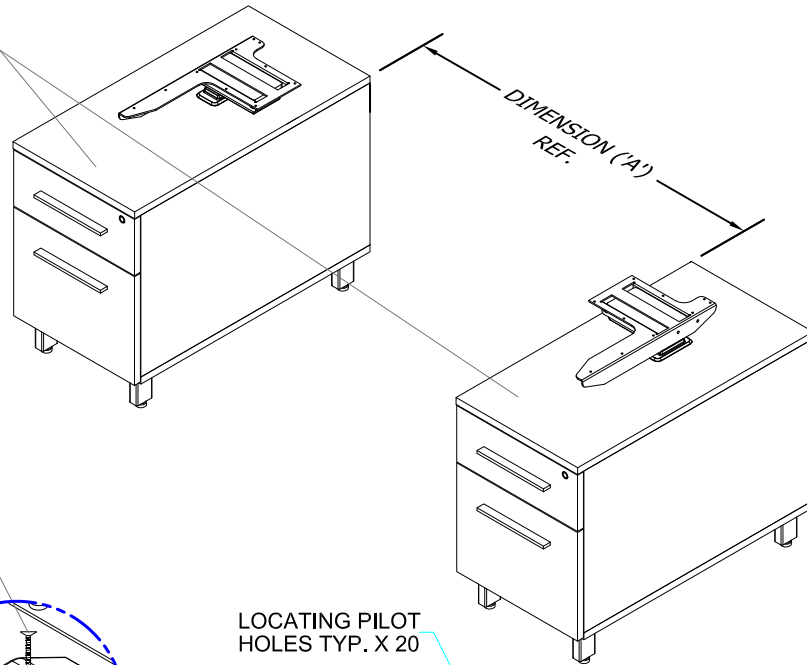


J - Control Box (9100143) x 1



1

B  
(ONE LEFT & ONE RIGHT)  
X 1 EACH



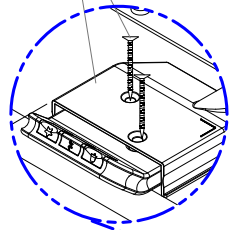
\*POS'N AS SHOWN WITH LOCATING PILOT HOLES\*  
\*MEASURE, SQUARE AND LEVEL TOGETHER TO COINCIDE WITH EACHOTHER\*  
FASTEN WITH SCREWS ALL PARTS SHOWN HERE  
LAY TOP ON CLEAN NON-ABRASIVE SURFACE BOTTOM SIDE UP

### SoHo Executives Positioning

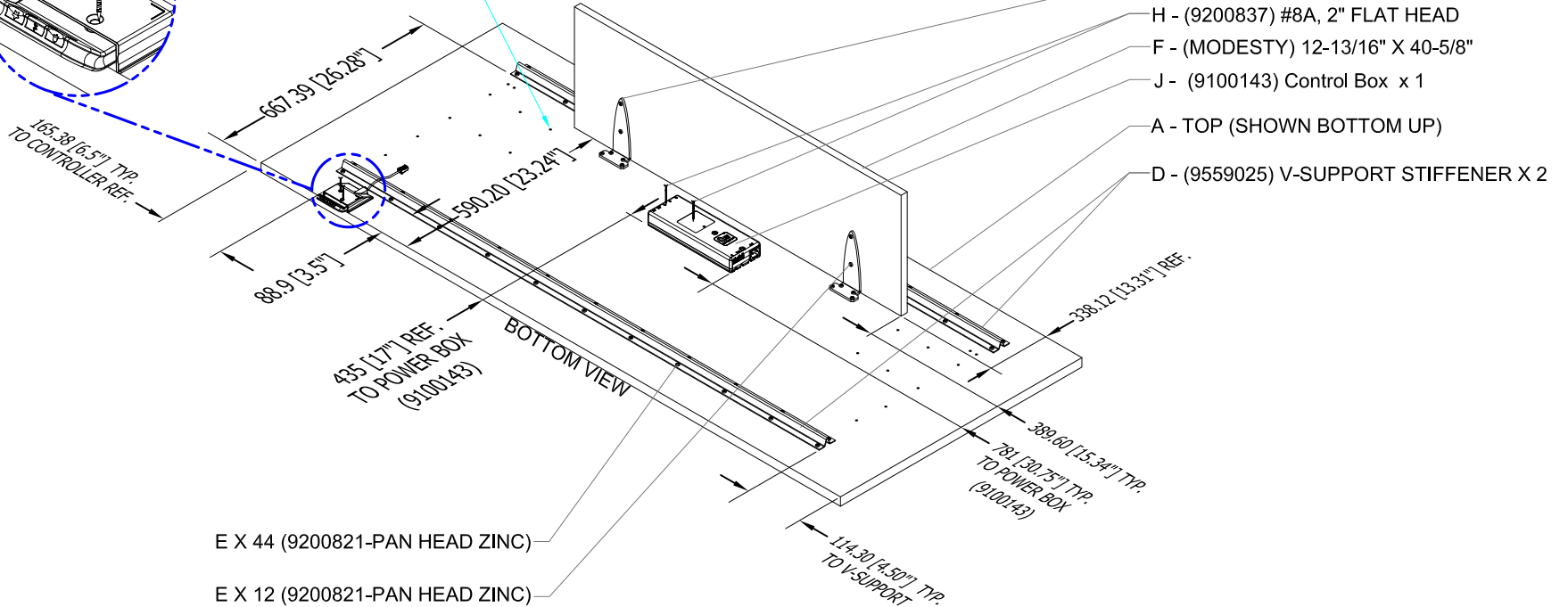
ACTUAL SIZE (W X D)	DIMENSION (A) REF.
84" X 36"	1344m [52-7/8"]
78" X 36"	1191mm [46-7/8"]
72" X 36"	1039mm [40-7/8"]
66" X 36"	887mm [34-7/8"]
60" X 36"	734mm [28-7/8"]
84" X 30"	1344mm [52-7/8"]
78" X 30"	1191mm [46-7/8"]
72" X 30"	1039mm [40-7/8"]
66" X 30"	887mm [34-7/8"]
60" X 30"	734mm [28-7/8"]

G - (9200951) #8A,  
1-1/4" FLAT HEAD X 2  
I - DIGITAL DISPLAY  
WITH BLUETOOTH  
(9100254) X 1

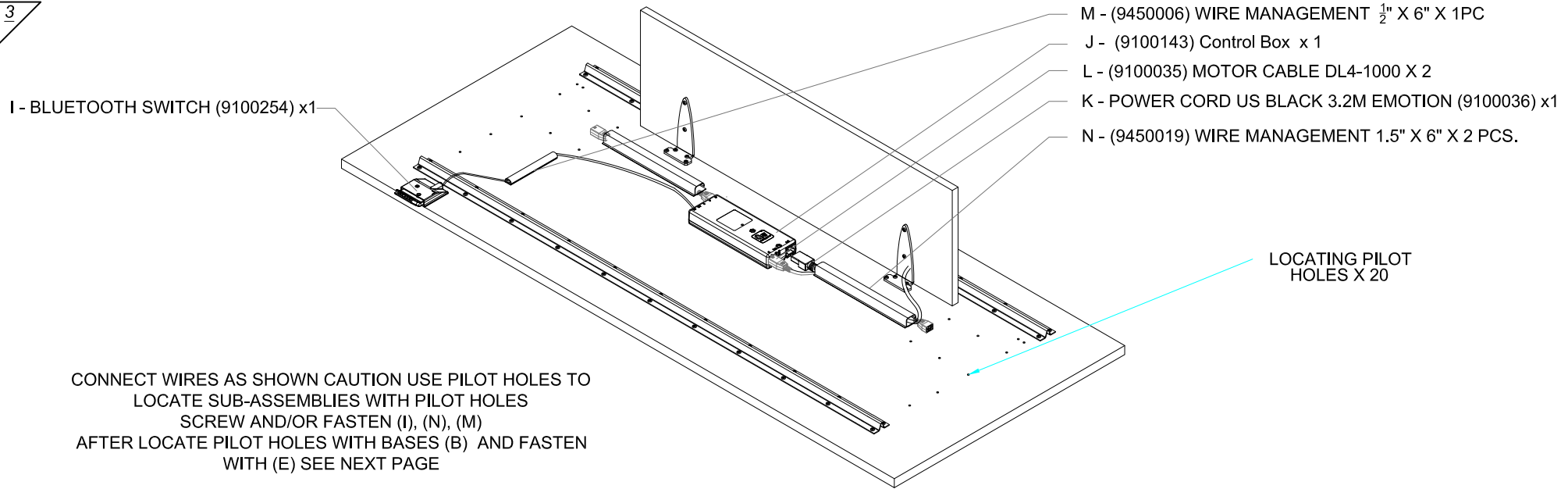
2



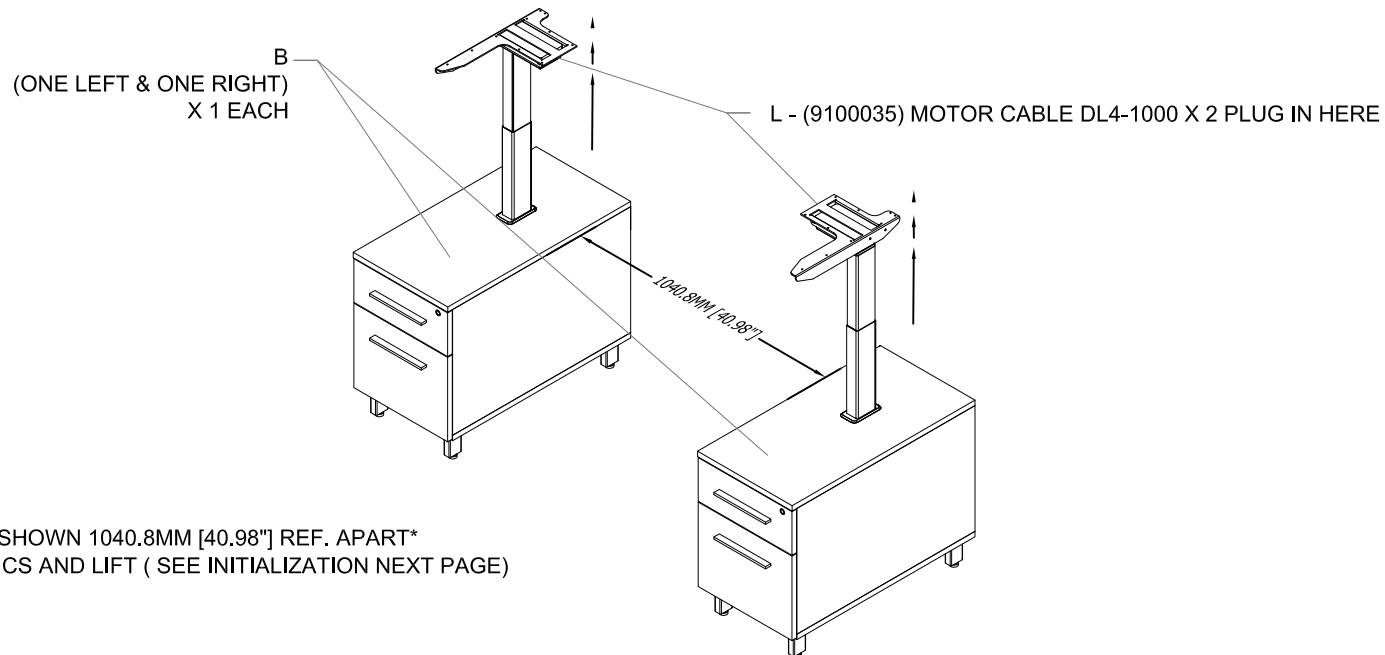
LOCATING PILOT HOLES TYP. X 20

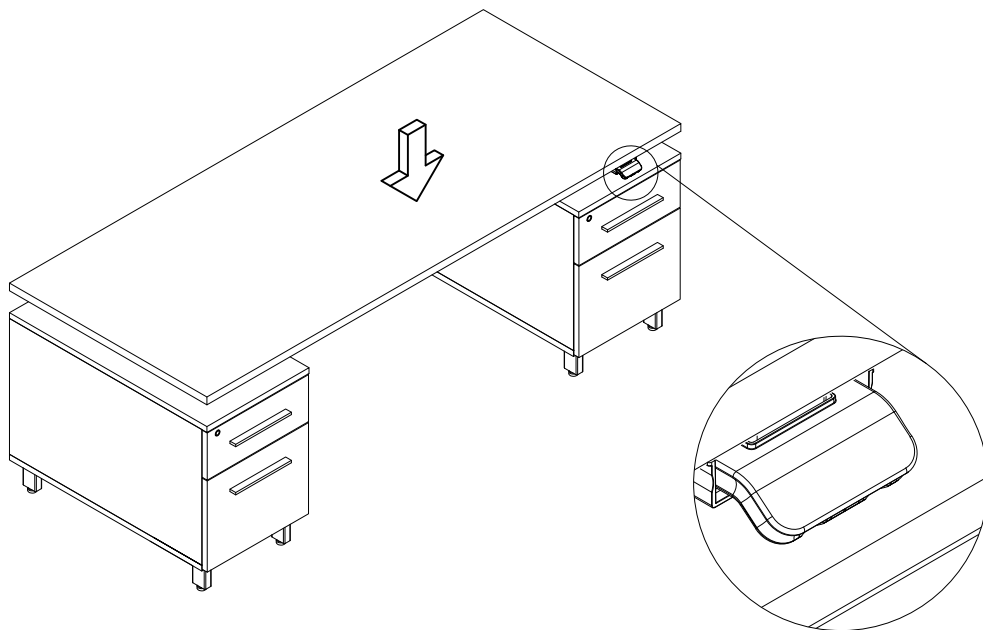


3



4





**Initialisation of the DESKLINE DL6 parallel systems**

The DESKPOWER system is initialised by pressing the down button once or twice and holding it down until the DL6 runs into end stop. It will then automatically run approx. 5mm out again and hereafter slowly run in again. Only release the down button when the movement has completely stopped.

\* If the button is released before the sequence is complete then the initialisation is interrupted and must be started again from the beginning.

It is sometimes necessary to press the down button twice to start the initialisation, this is because the system can be in different modes when the initialisation starts. There will be a 1.25 sec. delay. If an error situation occurs at the end stop positions or DL6 are changed to another stroke length, then CBD6 control box has to be initialised again.

The first two times the system runs into the outward end stop, it will automatically run approx. 3mm back in inward direction.

**Troubleshooting**

Description of Problem	Solution 1	Solution 2	Solution 3
Lifting column will not go up or down	Verify that power supply has power by testing with a plug in lamp or other device. Check to ensure that connections were made in the proper sequence as shown on installation guide. Try disconnecting all and reconnect in the proper sequence. Test again	Check pins on the lift column lead to make sure no pins were damaged. Check pins on the CBD6 - control box to ensure that pins are not damaged	Check wires to ensure that they are not pinched or damaged
Lifting column will not go up or down	Disconnect AC power and motor cables. Try changing the position of the motor cables, and retest		
Leg makes a loud noise when raising or lowering	Inspect leg for physical damage. Contact BRC customer service for information pertaining to leg service or change		
Programmable switch with Digital readout is blank when connected	Disconnect AC power. Disconnect switch cable and motor cables from the control box. Wait 10 minutes with power off. Reconnect cables in this sequence. (1) Motor cables to control box. (2) Switch cable to control box. (3) Connect AC power to control box. (4) follow initialization process as outlined above	Repeat steps outlined in solution 1. Ensure wait time is adhered to, and that connection sequence is correct.	Programmable switch remains blank after solution 1. Contact BRC customer service. BRC customer service to arrange for sales rep to supply a firmware update for the programmable switch unit. (special cable required for operation)
Leg Chatter on downward travel	If programmable switch is being used on the desking system, report if an error code is being displayed on the switch. BRC reference error code chart for causal factor and solution.	(a) Test table with top - record results (b) Test table with top - loaded with weight - record results (c) Test table base with no top - record results. If chatter exists in condition (a) Contact BRC customer service for information pertaining	

\*\*Note testing sequence should include the initialization sequence prior to usage

5

