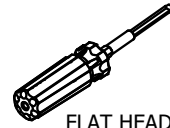




SAFETY GLASSES



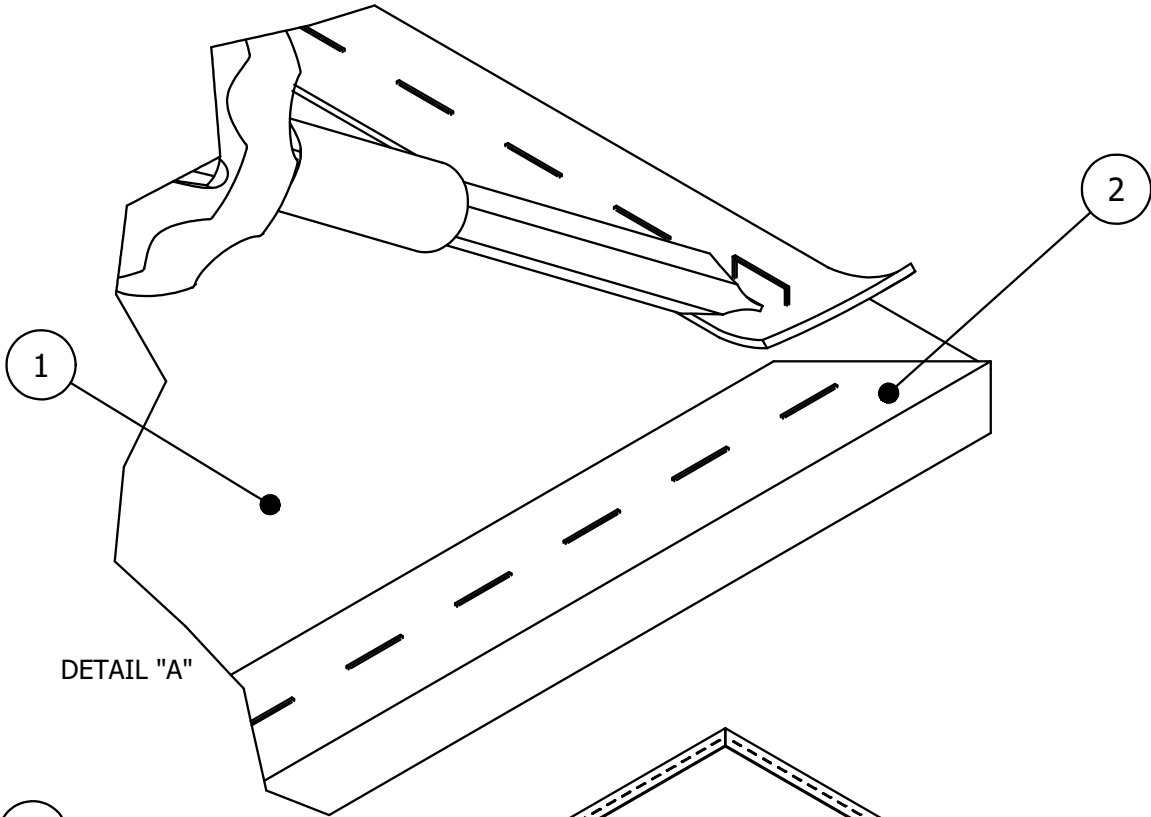
FLAT HEAD SCREW DRIVER

2

1

B

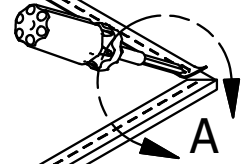
B



DETAIL "A"



1



A

A

NOTE: 1) ESTIMATED TIME FOR DISASSEMBLY 15 MINUTES

TACK BOARD | PART NO.

REV. A

NATURAL SERIES
FIL



1: HOMASOTE
CELLULOSE CORE
2: POLYESTER FABRIC



2

1

