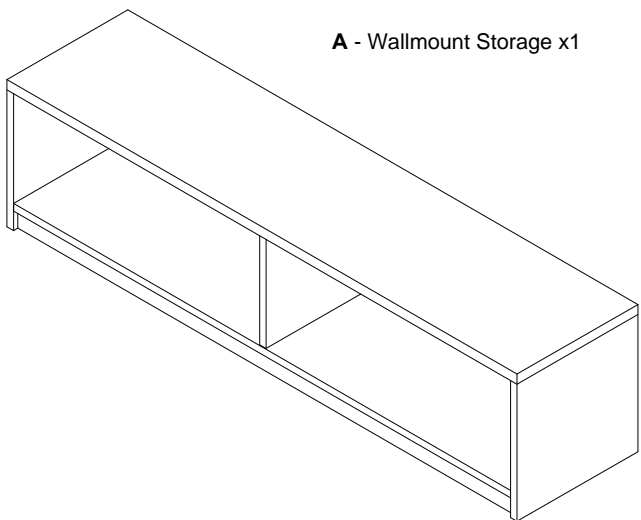
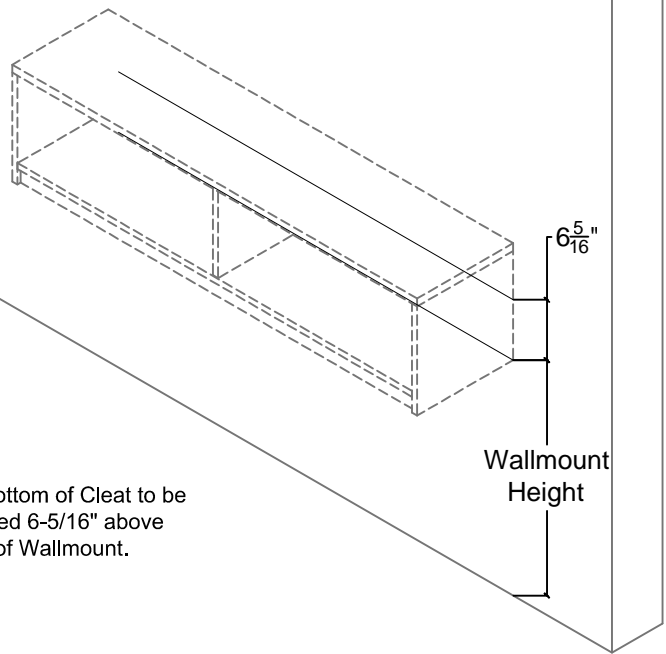


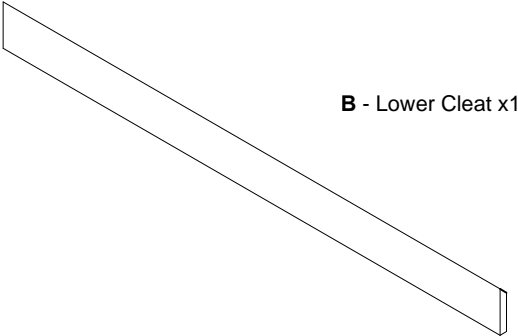
BOM



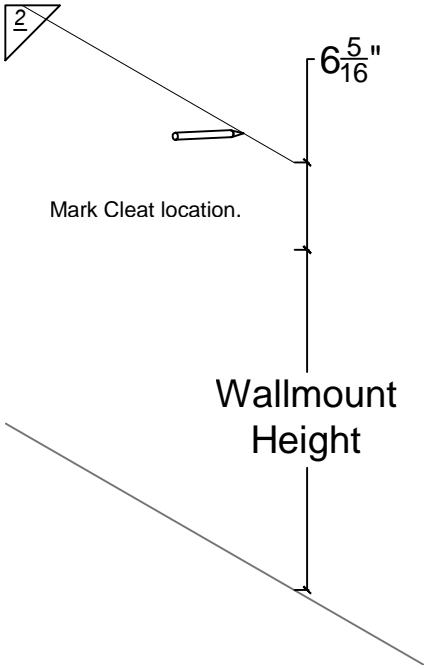
1



Note: Bottom of Cleat to be positioned $6\frac{5}{16}$ " above bottom of Wallmount.

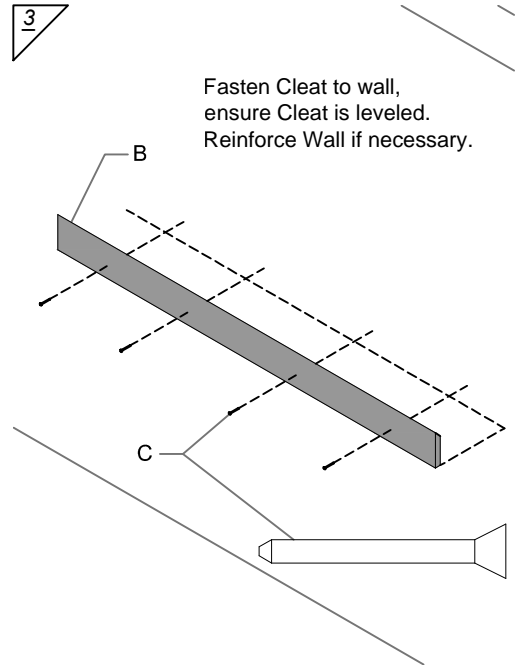


2

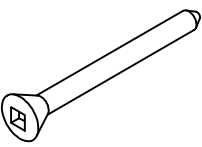


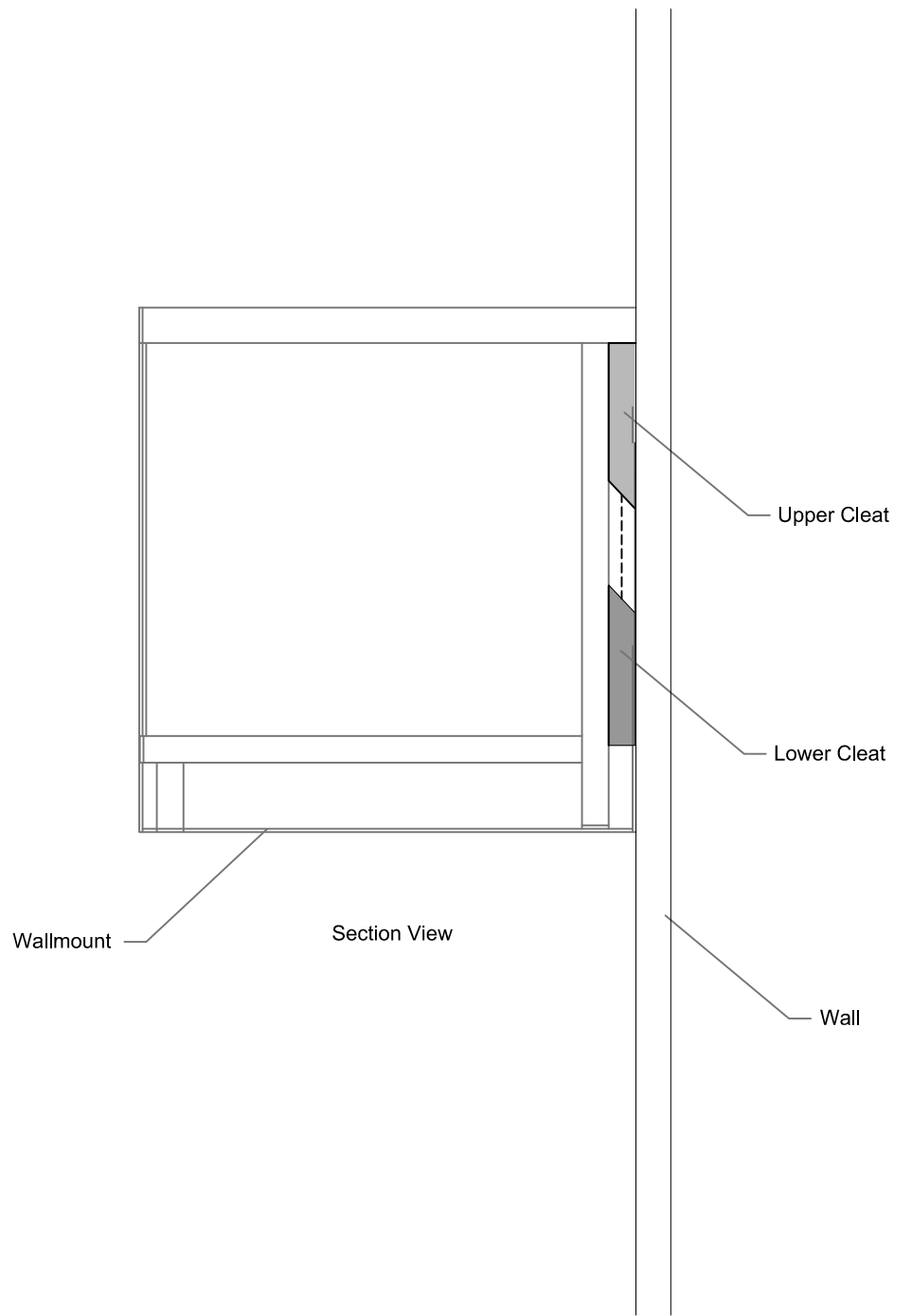
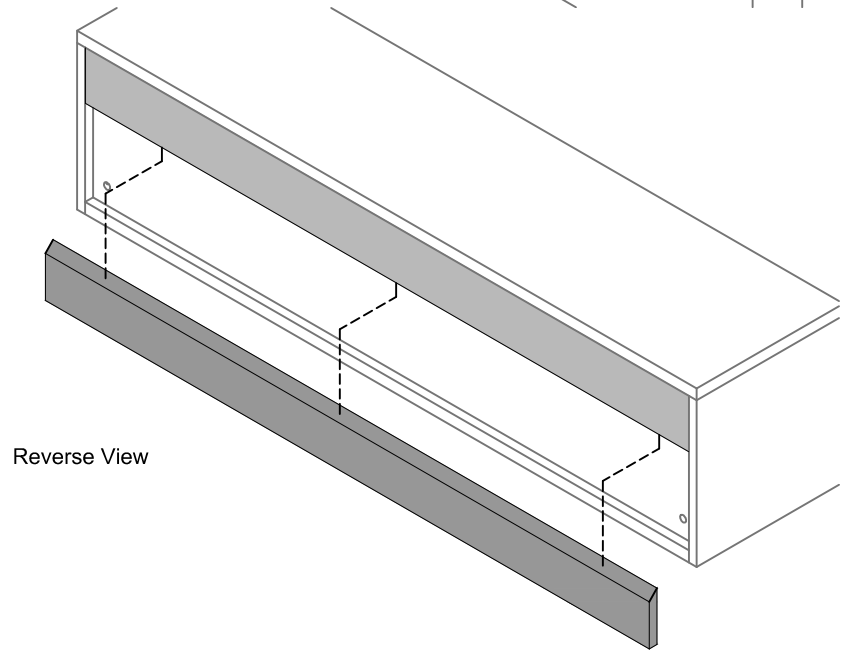
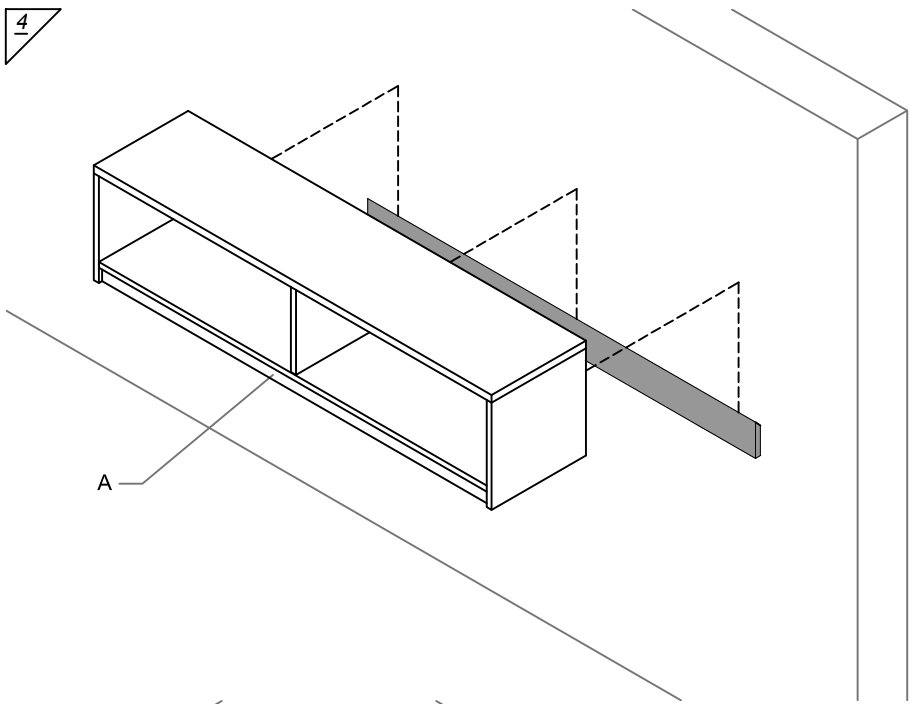
Mark Cleat location.

3

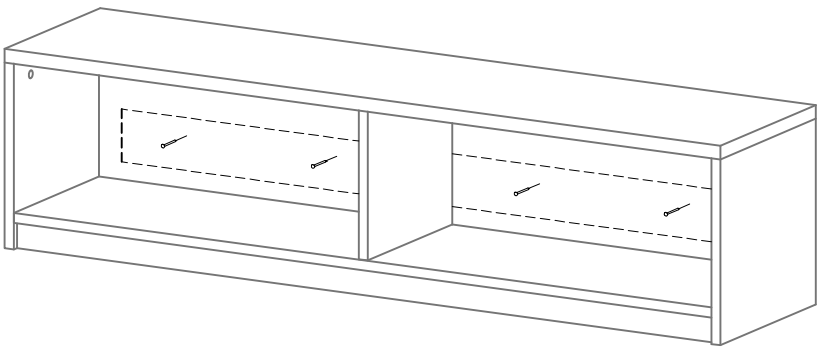


Fasten Cleat to wall, ensure Cleat is leveled. Reinforce Wall if necessary.





5



Note: Ensure Wallmount Storage is leveled. Fasten Lower Cleat to Wall from inside the Wallmount Storage.

