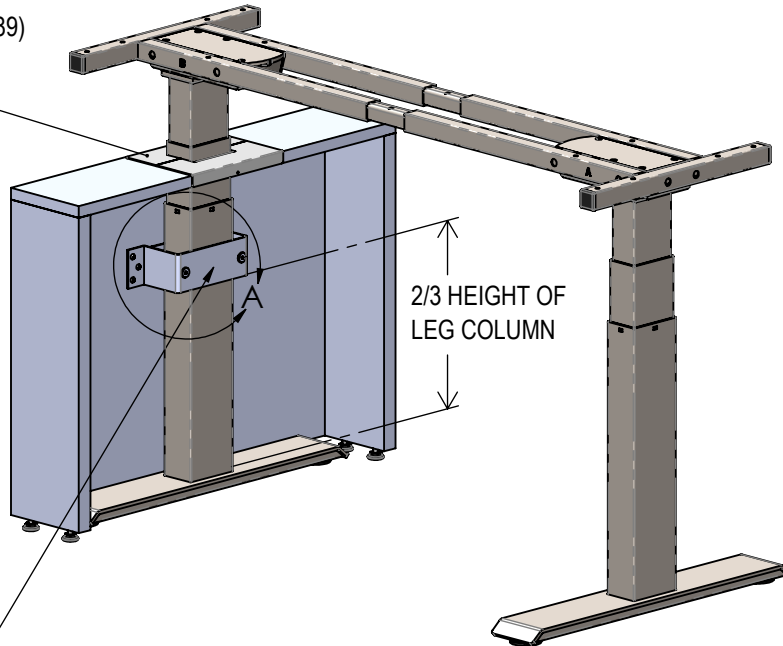


PLANT MANAGER	PRODUCTION	PURCHASING & SCHEDULING	 <b>BRC</b> BUSINESS ENTERPRISES LIMITED 24 ARMSTRONG AVE., GEORGETOWN, ON L7G 4R9	PHONE: (905) 873-8509 FAX: (905) 873-9165 TOLL FREE: (877) 260-4309 email: info@brccanada.com	PART NUMBER	DWG NO.	SHEET 1 OF 1		
Q.A.	FOREMAN	CNC		REV	ECN No	REVISIONS	AUTH	BY	DATE
CNC PROGRAM #									DRAWN BY: JP CHECKED BY: VT MATERIAL: DATE: 2020-06-02 TOLERANCES <small>UNLESS OTHERWISE SPECIFIED          DIMENSIONAL TOLERANCES ARE:          .000 DECIMALS = 1/64 INCHES (STEEL)          .000 DECIMALS = 1/64 INCHES (WOOD)          ANGULAR TOLERANCES = 0°30'</small>
DO NOT SCALE DIMENSIONS TO DRAWING.									

METAL GROMMET (PART#9301189)  
TO BE ASSEMBLED USING  
DOUBLE-SIDED TAPE



BRACKET  
(PART#8200156)  
QTY. 1

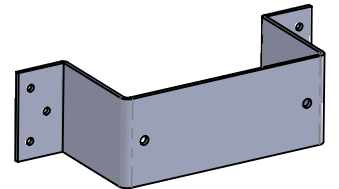
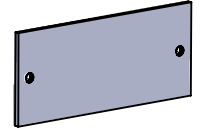


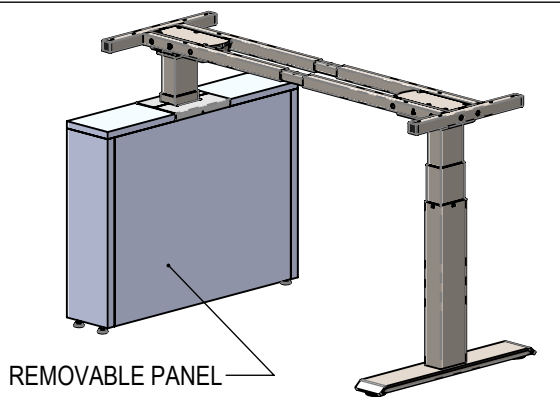
PLATE  
(PART#8559092)  
QTY. 1



MURAKOSHI BOLT 1/4-20 X 2.75"  
(PART#9200998)  
QTY. 2

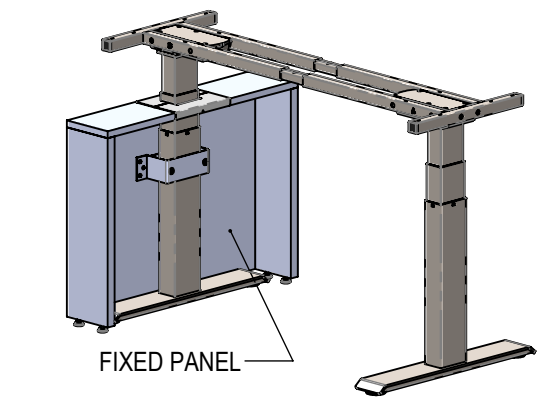


#10X0.75"  
PAN HEAD SCREWS ZINC  
(PART#9200817)  
QTY. 6



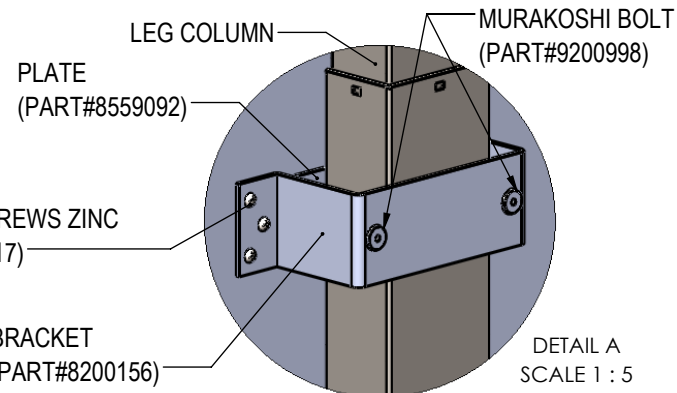
REMOVABLE PANEL

RECOMMENDED BRACKET INSTALLATION  
LOCATION: UPTO 2/3 HEIGHT OF LEG COLUMN



FIXED PANEL

(SHOWN WITHOUT REMOVABLE PANEL)



LEG COLUMN

MURAKOSHI BOLT  
(PART#9200998)

PLATE  
(PART#8559092)

#10X0.75"  
PAN HEAD SCREWS ZINC  
(PART# 9200817)

BRACKET  
(PART#8200156)

DETAIL A  
SCALE 1 : 5

By signing herein the Customer or their representative acknowledges that all specifications in the above drawing including dimensions and noted details are correct as presented and they hereby authorize BRC Business Enterprises Ltd. to release the order for production. If details are missing, or if revisions to this drawing are required, do not sign this document. Instead, mark up this drawing accordingly, return to BRC and await a final drawing including the revisions requested in the markup. Should any changes to the specifications or drawing details be required after signing, the Customer must communicate details in writing including a markup of the drawing for reference. Changes of this nature require a new sign off drawing and a new dated authorizing signature. Charges for material or labour incurred may apply. Note: The final signed drawing supersedes any and all details supplied by the Customer on a purchase order, verbally, email, or otherwise. Further it supersedes any BRC acknowledgement sent to the Customer. This drawing contains all final details and a signed copy is the Customers final authority for BRC to proceed with the order and incur costs of production on the Customers behalf.

Final Approval Signature: \_\_\_\_\_ Date: \_\_\_\_\_  
 Name (Please Print): \_\_\_\_\_  
 Title: \_\_\_\_\_  
 PATH: \_\_\_\_\_

**NOTE: INSTALL WITH #10X0.75" SCREWS ONLY.  
 ALWAYS CHECK YOUR SCREW LENGTH  
 TO ENSURE YOU DO NOT DAMAGE  
 THE PANEL YOU ARE ATTACHING TO.**