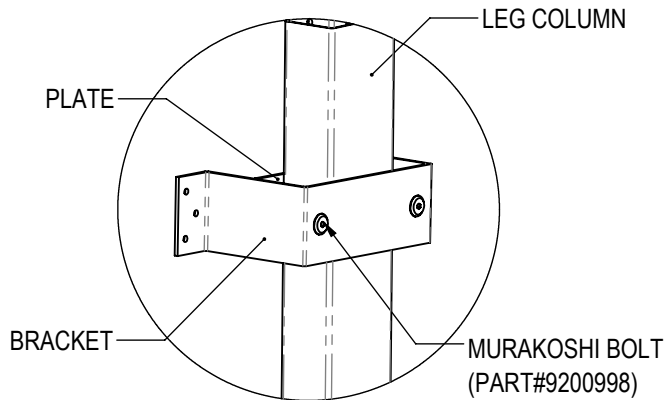
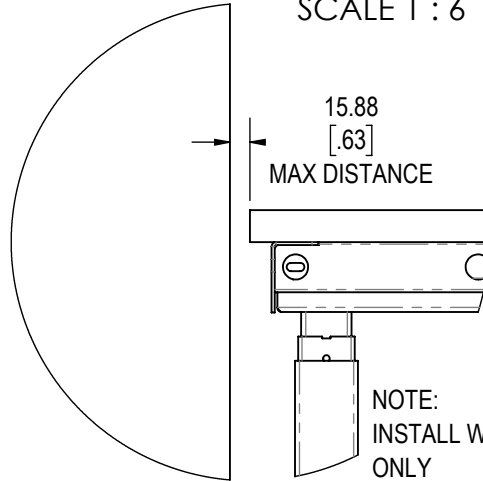


PLANT MANAGER	PRODUCTION	PURCHASING & SCHEDULING	 BUSINESS ENTERPRISES LIMITED 24 ARMSTRONG AVE., GEORGETOWN, ON L7G 4R9	PHONE: (905) 873-8509 FAX: (905) 873-9165 TOLL FREE: (877) 260-4309 email: info@brccanada.com	PART NUMBER	DWG NO.	SHEET 1 OF 1	
Q.A.	FOREMAN	CNC		REV	ECN No	REVISIONS	AUTH	BY
CNC PROGRAM #							DESCRIPTION ANTITIP BRACKET TO CABINET INSTALLATION	
				DRAWN BY: CF		DATE: 2020-06-25		
				CHECKED BY: VT		DATE:		
				MATERIAL:		TOLERANCES <small>UNLESS OTHERWISE SPECIFIED DIMENSIONAL TOLERANCES ARE: .000 DECIMALS = 1/64 INCHES (STEEL) .000 DECIMALS = 1/64 INCHES (WOOD) ANGULAR TOLERANCES = 0°30'</small>		
				DO NOT SCALE DIMENSIONS TO DRAWING.				

DETAIL B
SCALE 1 : 6



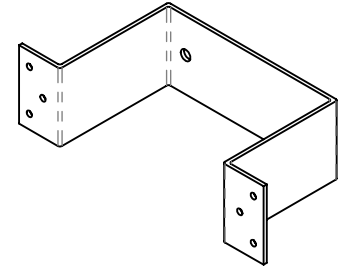
DETAIL H
SCALE 1 : 6



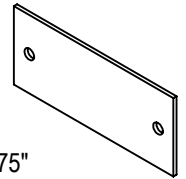
NOTE:
INSTALL WITH #10X0.75" SCREWS ONLY
ALWAYS CHECK SCREW LENGTH TO ENSURE YOU DO NOT DAMAGE CABINET YOU ARE ATTACHING TO.

PLEASE SEE ORDER ACKNOWLEDGEMENT FOR FINISHES AND PRODUCT DETAILS

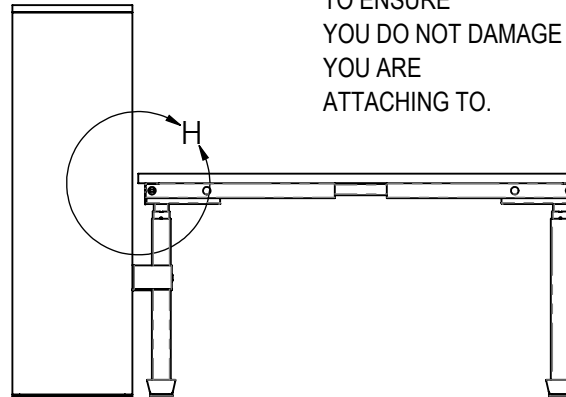
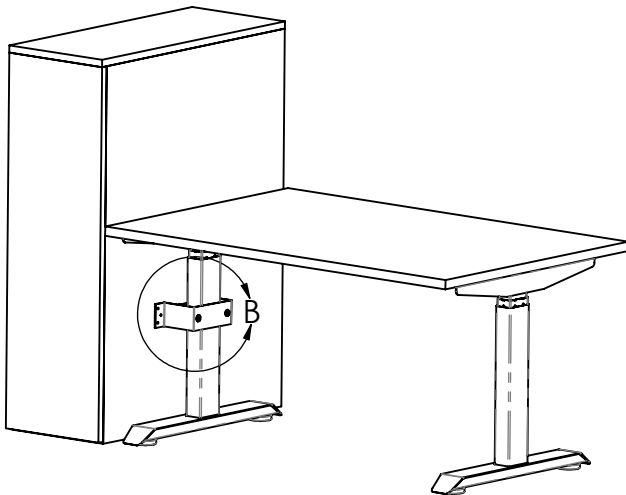
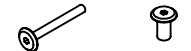
CUST BRACKET
QTY-1



CUST MOUNTING PLATE
QTY-1



MURAKOSHI BOLT 1/4-20 X2.75"
(PART NUMBER#9200998)
MURAKOSHI NUT 1/4-20 0.66"
(PART NUMBER#9200018)
QTY-2



INSTRUCTIONS:
-PLACE BRACKET AROUND LEG AT DESIRED HEIGHT AND SECURE WITH PLATE MURKOSHI BOLTS AND NUTS
-FASTEN TO UNIT WITH SCREWS

By signing herein the Customer or their representative acknowledges that all specifications in the above drawing including dimensions and noted details are correct as presented and they hereby authorize BRC Business Enterprises Ltd. to release the order for production. If details are missing, or if revisions to this drawing are required, **do not sign this document**. Instead, mark up this drawing accordingly, return to BRC and await a final drawing including the revisions requested in the markup. Should any changes to the specifications or drawing details be required after signing, the Customer must communicate details in writing including a markup of the drawing for reference. Changes of this nature require a new sign off drawing and a new dated authorizing signature. Charges for material or labour incurred may apply. Note: The final signed drawing supersedes any and all details supplied by the Customer on a purchase order, verbally, email, or otherwise. Further it supersedes any BRC acknowledgement sent to the Customer. This drawing contains all final details and a signed copy is the Customers final authority for BRC to proceed with the order and incur costs of production on the Customers behalf.

Final Approval Signature: _____ Date: _____

Name (Please Print): _____

Title: _____

PATH: