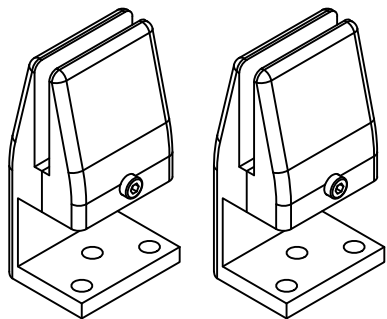
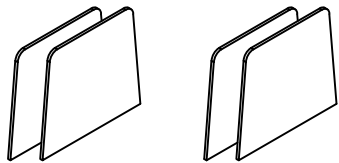


BOM

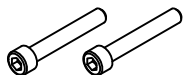


A - Desk Screen -
Edge of Desk Mount kit
(ADS1A)
20" to 48" x2
60" x3

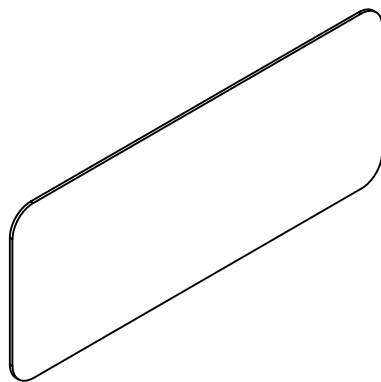
A1 - Edge of Desk Mount Clamps



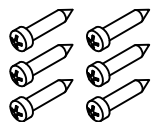
A2 - Gasket



A3 - Sockey Head Bolt



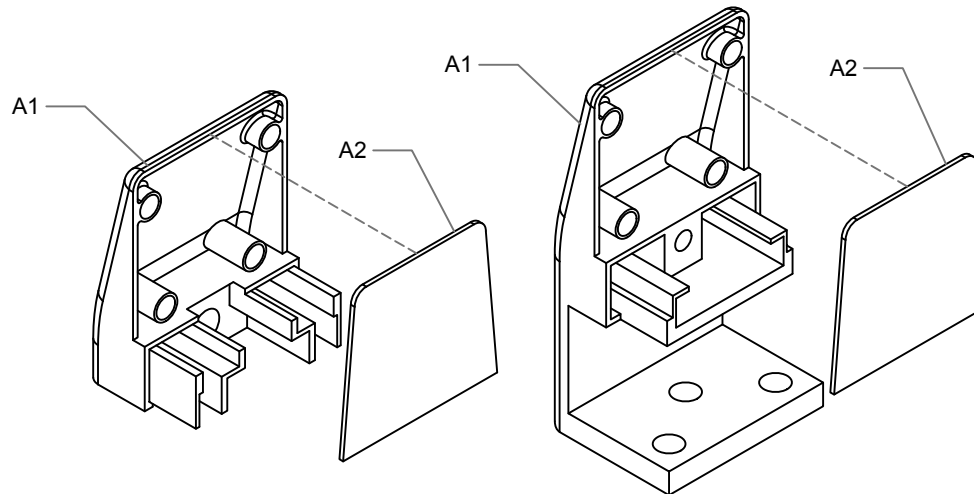
B - Desk Screen x1



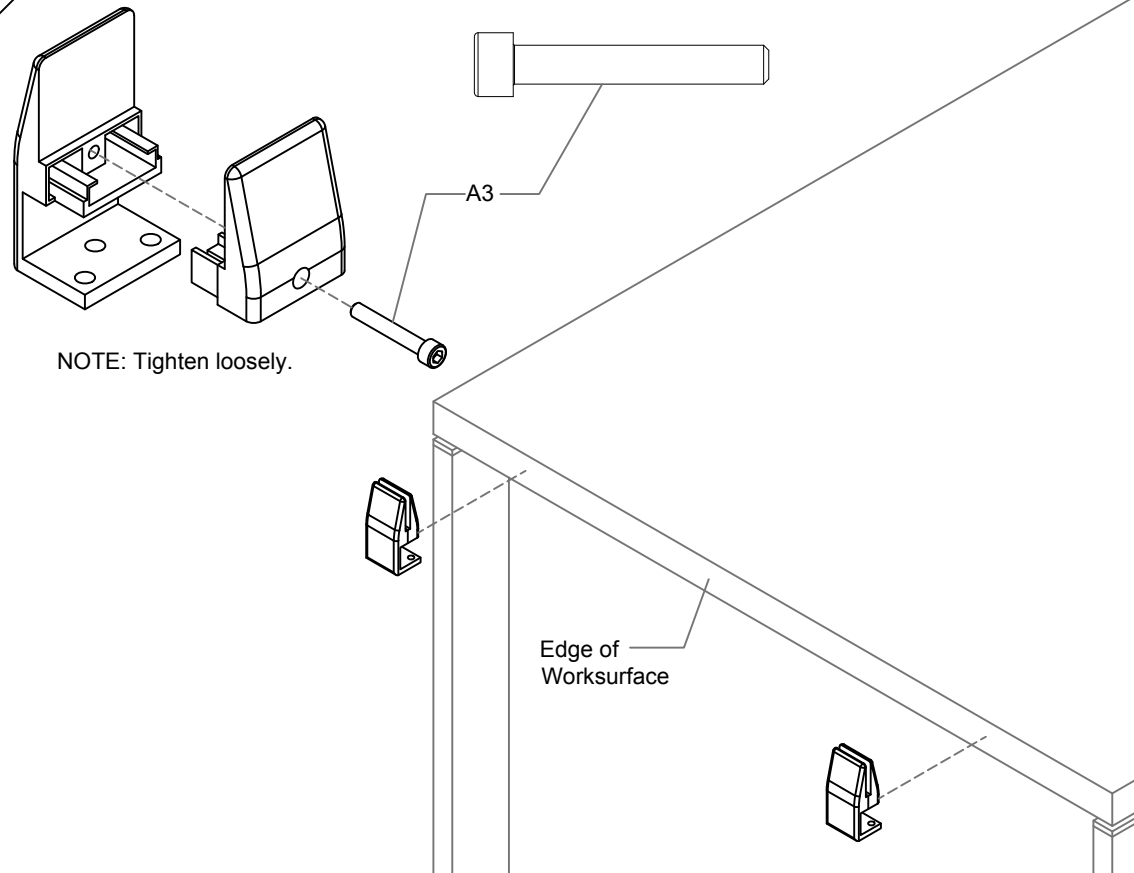
C - #8-.75" Robertson Pan Head
Screw x 6

Attention!!! 5mm Hex key required to
tighten clamp - Hex Key not supplied.

1



2



NOTE: Tighten loosely.

Edge of
Worksurface

