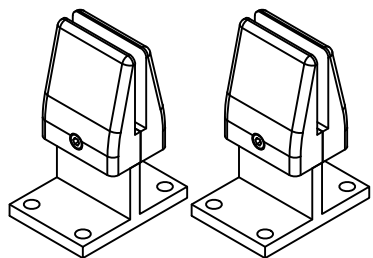
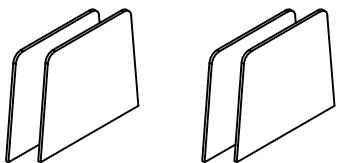


BOM

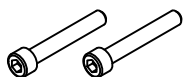


A - Desk Screen -
Between Desk Mount kit
(ADS2A)
20" to 48" x2
60" x3

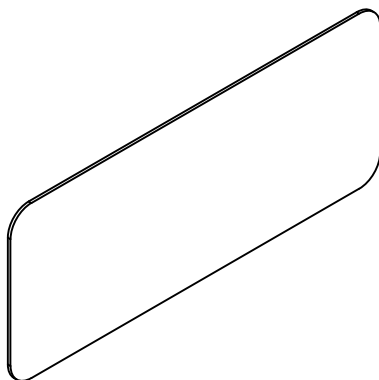
A1 - Edge of Desk Mount Clamps



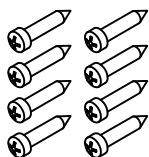
A2 - Gasket



A3 - Socket Head Bolt



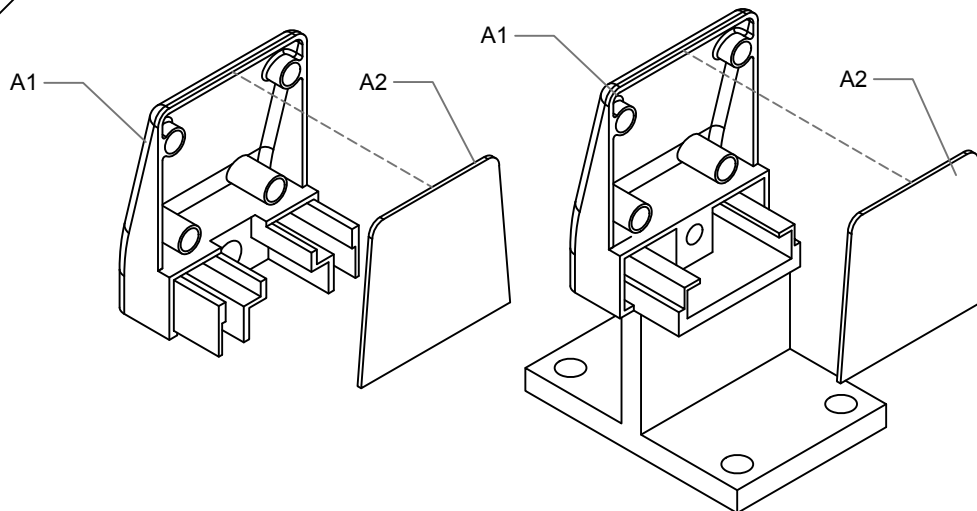
B - Desk Screen x1



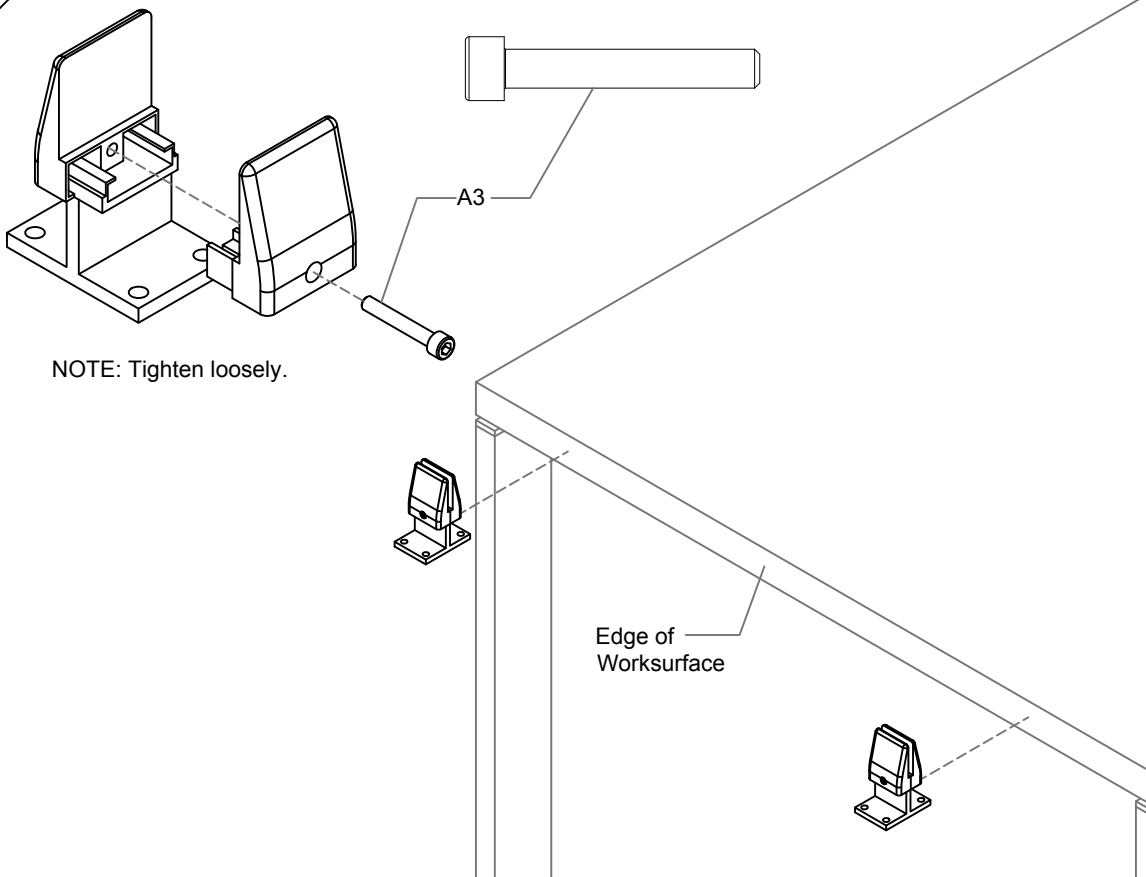
C - #8-.75" Robertson Pan Head
Screw x 8

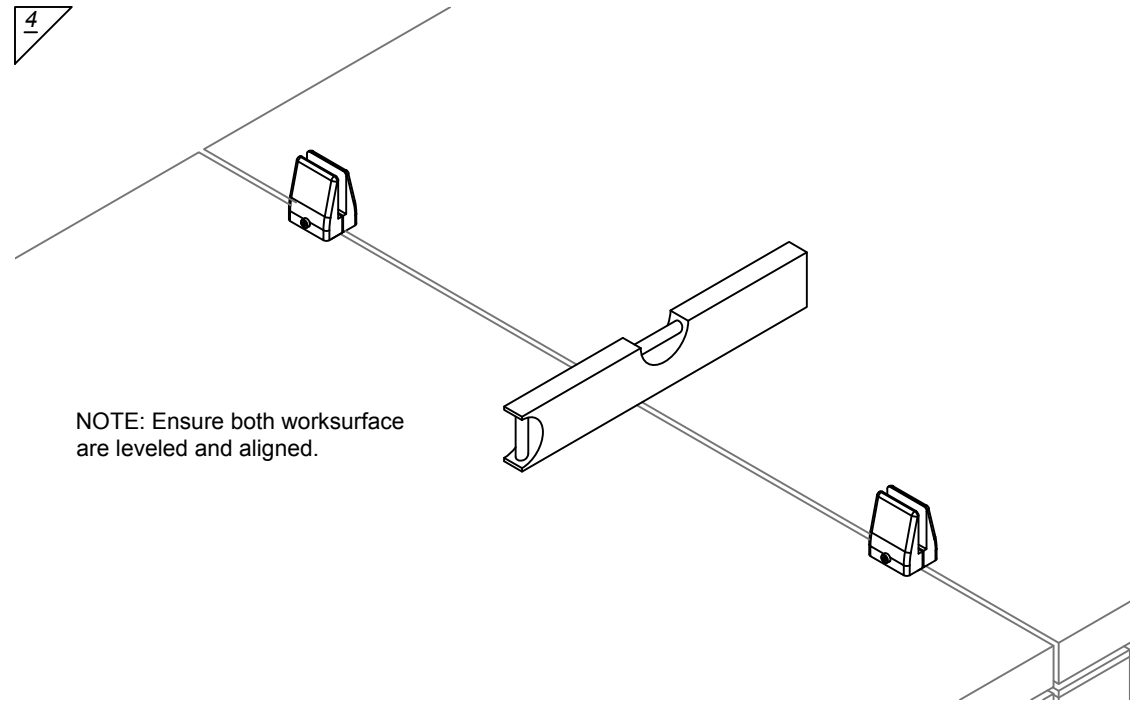
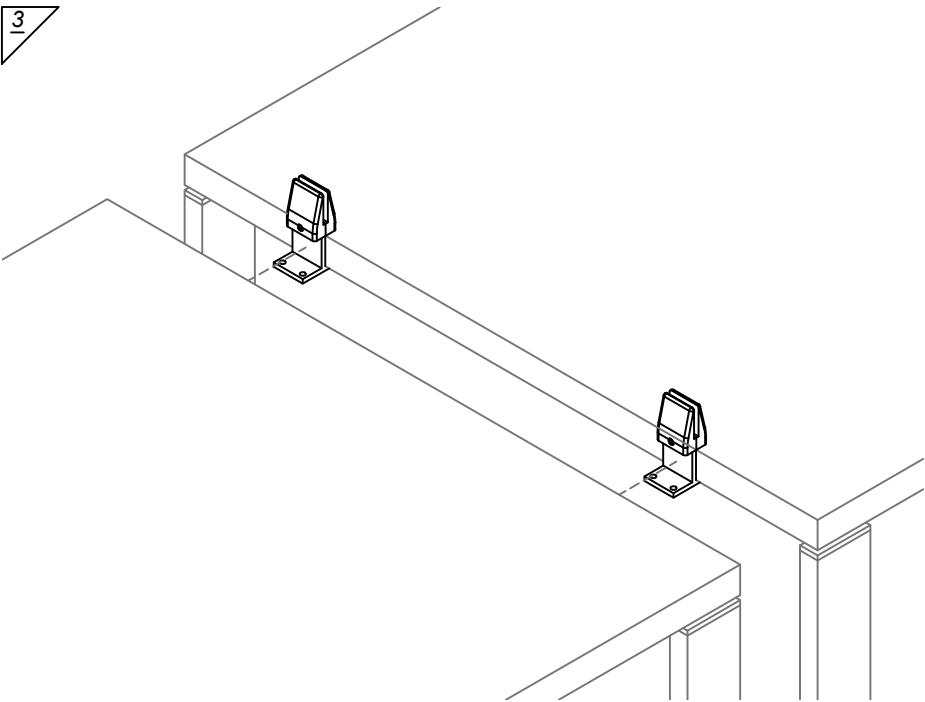
Attention!!! 5mm Hex key required to
tighten clamp - Hex Key not supplied.

1

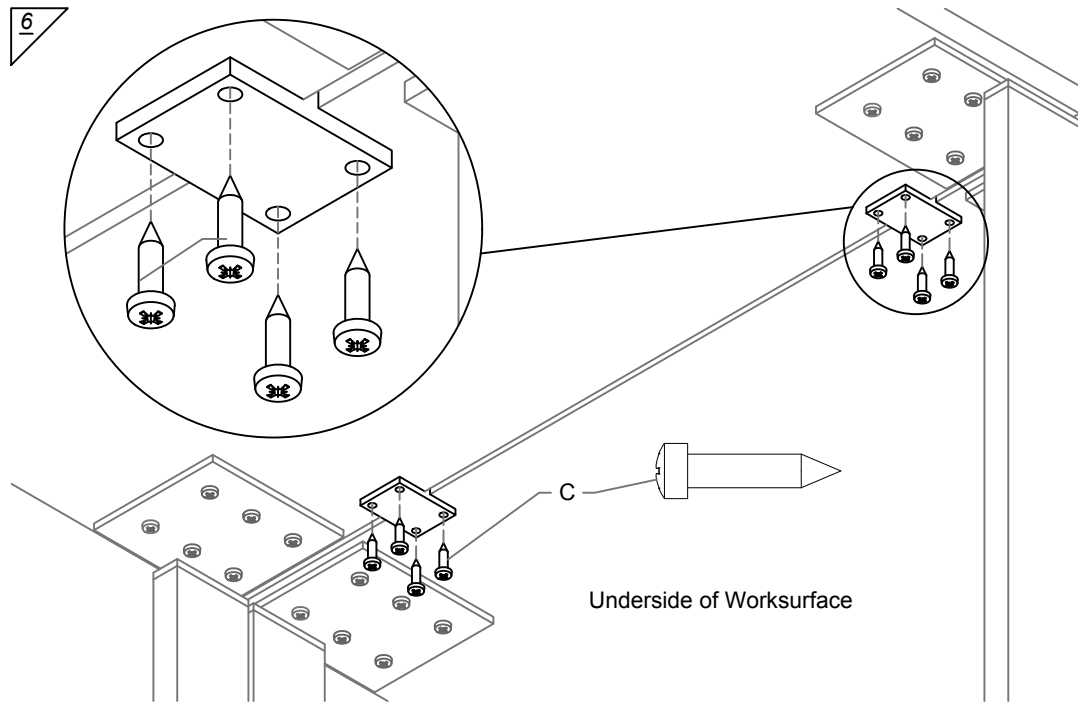
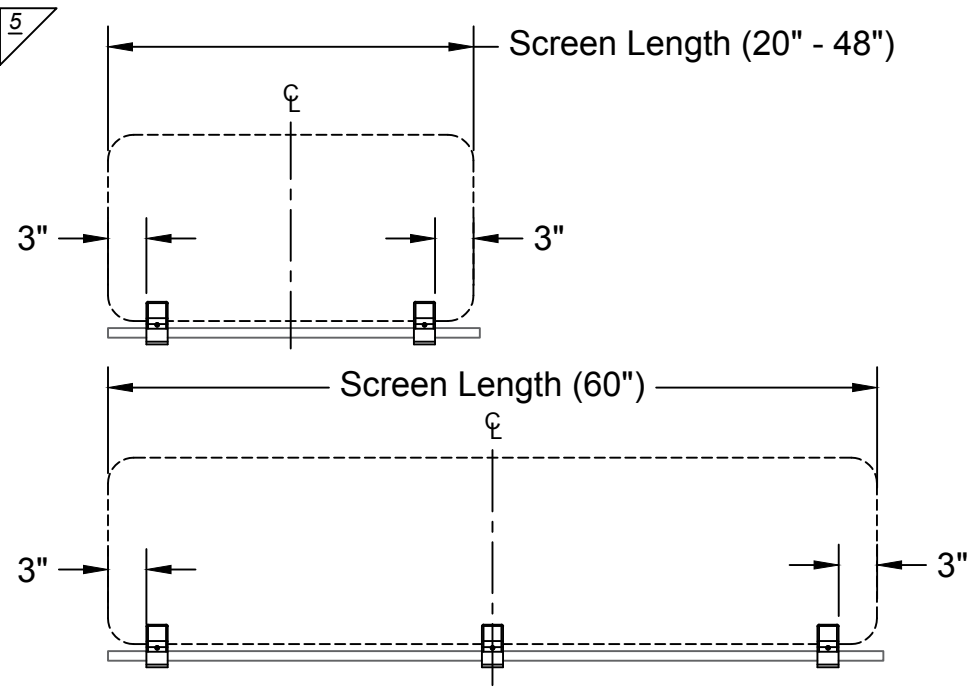


2





NOTE: Ensure both worksurface are leveled and aligned.

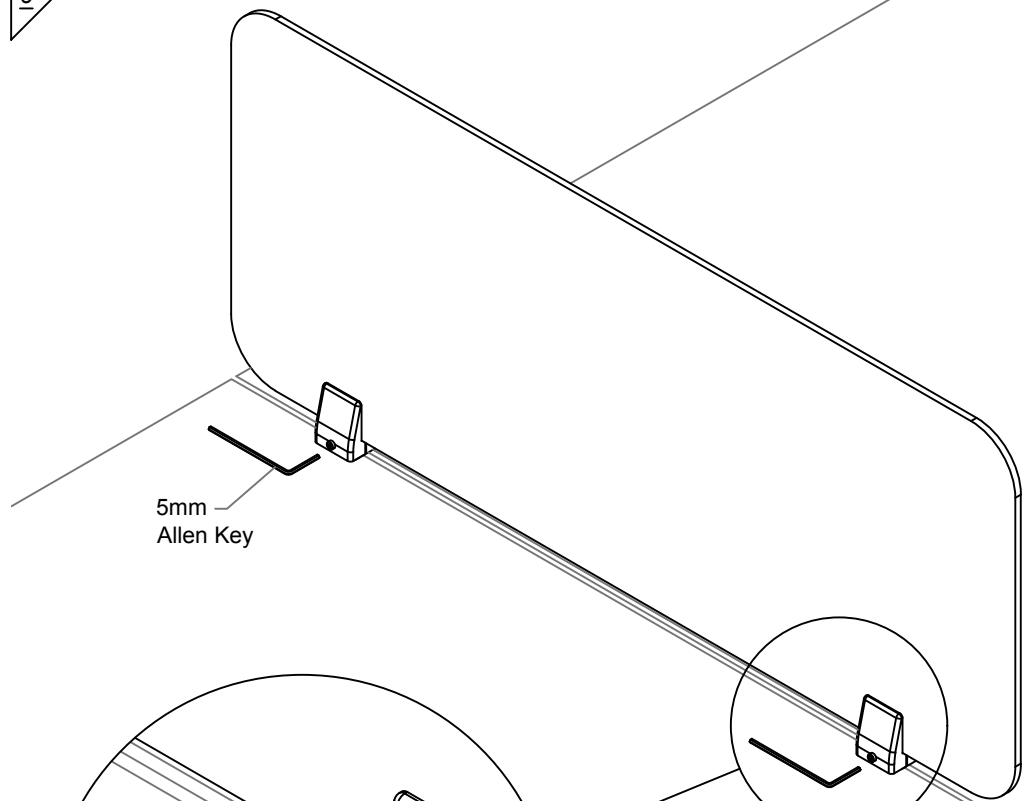
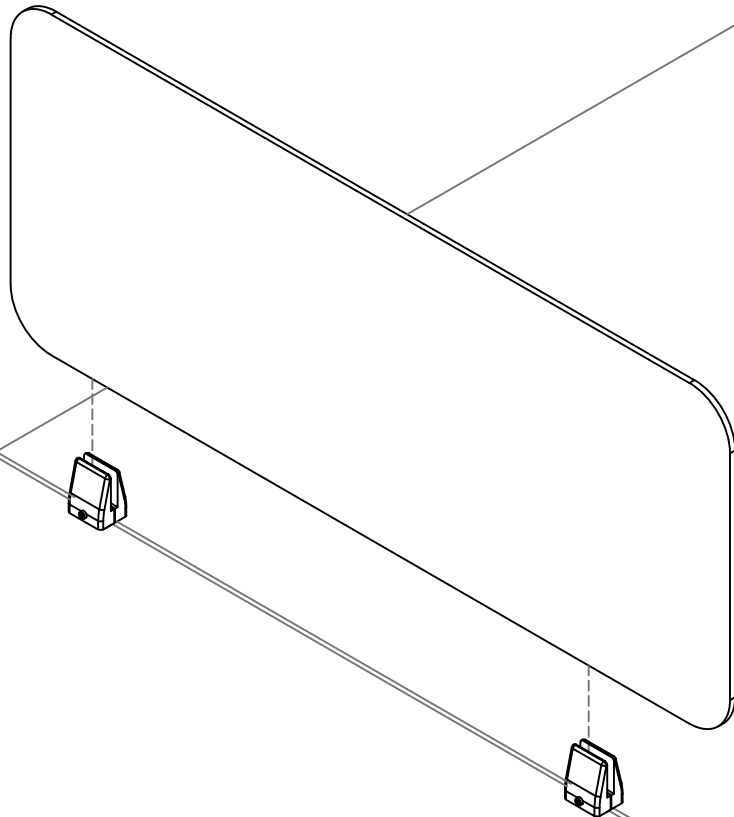


Underside of Worksurface

7

8

NOTE: Remove Protective Film prior installing Plexi Screen.



5mm
Allen Key

Fully tighten