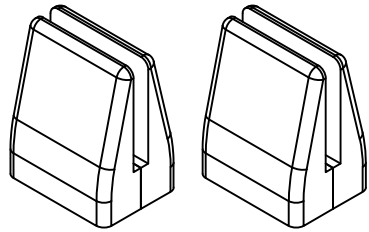
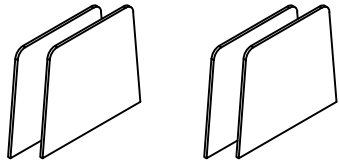


BOM

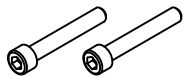


A - Desk Screen -
Flush Mount Desk Mount kit
(ADS3A)
20" to 48" x2
60" x3

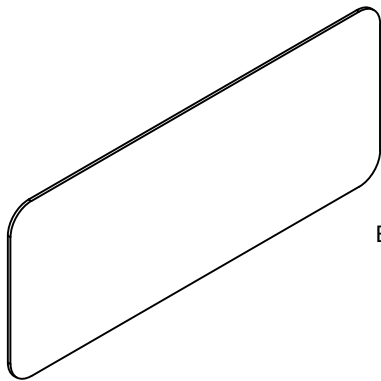
A1 - Edge of Desk Mount Clamps



A2 - Gasket



A3 - Sockey Head Bolt



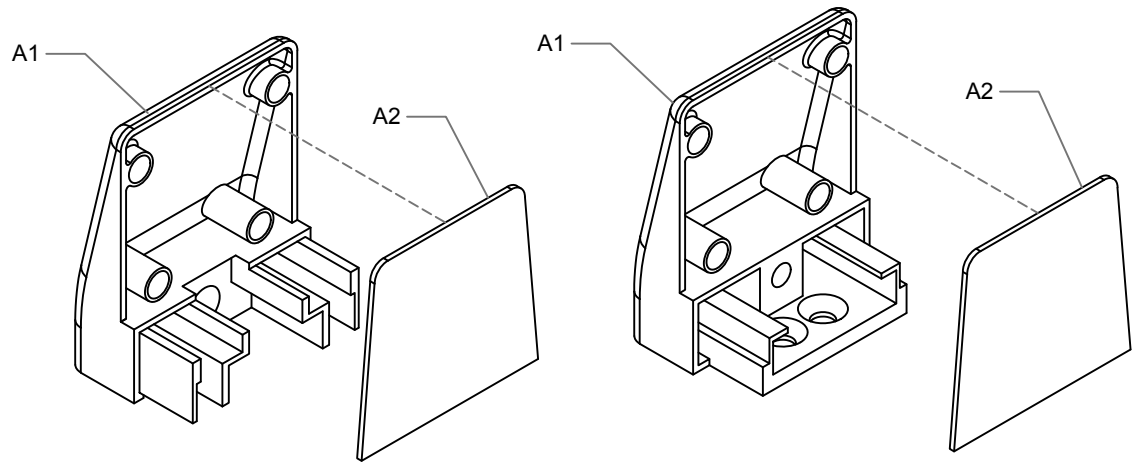
B - Desk Screen x1



C - #8-.75" Robertson Countersink
Screw x 4

Attention!!! 5mm Hex key required to
tighten clamp - Hex Key not supplied.

1



2

