 This guide assumes that the wall mounting surface is level and plumb. Mounting into wood wall studs or concrete is recommended. For metal wall studs or otherwise, sufficient support must be added to accommodate heavy loads. Contact your BRC representative for weight limit requirements and recommendations.

Preparing The Wall Panel

1 Align the mounting holes in the modesty brackets with the lifting column supports and the rear wall panel. Orient the modesty brackets as shown with tab hooks towards the inside. The lifting column supports and modesty brackets are universal right and left. Attach using provided washers and bolts.



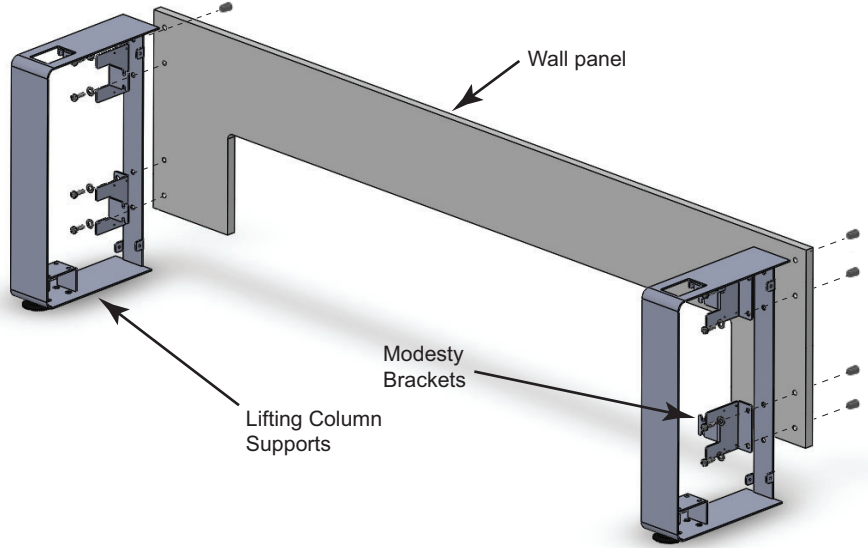
D Nut Inserts, 5/16"-18 x 5/8" X8



Flat Washer 1/4" ID 9/16" OD X8

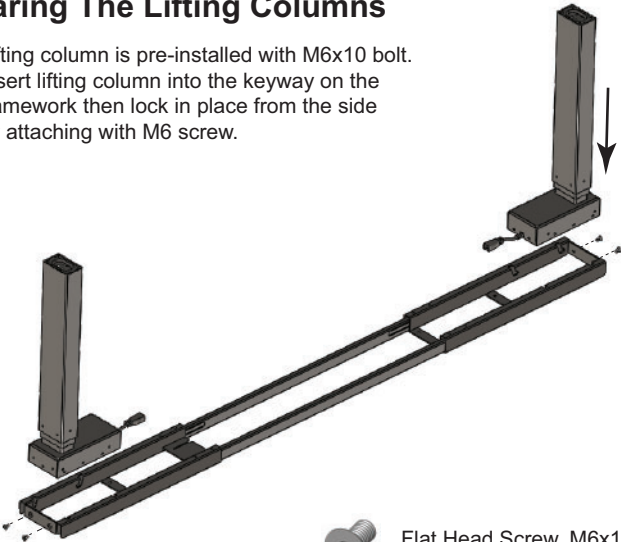


Hex Head Bolt, 5/16"-18 X8



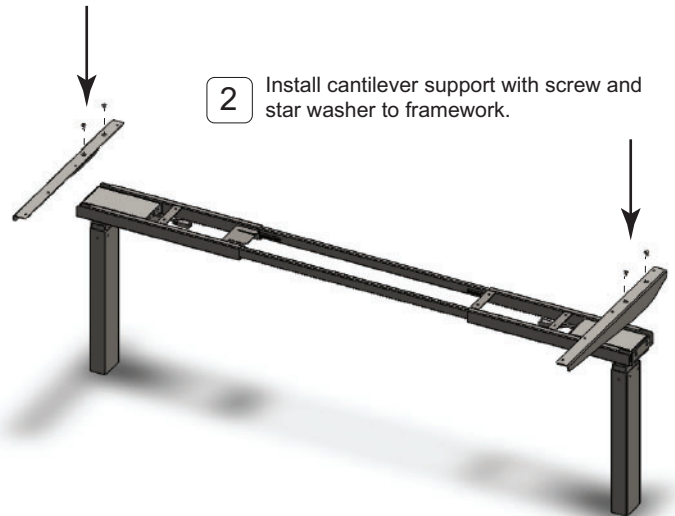
Preparing The Lifting Columns

1 Lifting column is pre-installed with M6x10 bolt. Insert lifting column into the keyway on the framework then lock in place from the side by attaching with M6 screw.



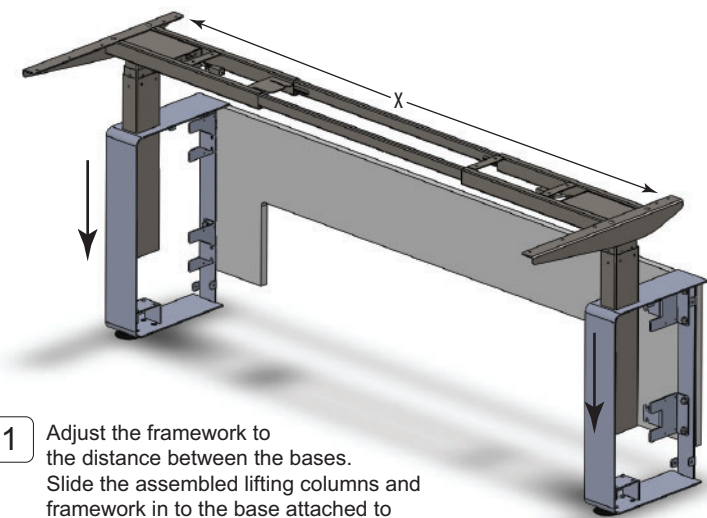
Flat Head Screw, M6x12 X4

2 Install cantilever support with screw and star washer to framework.

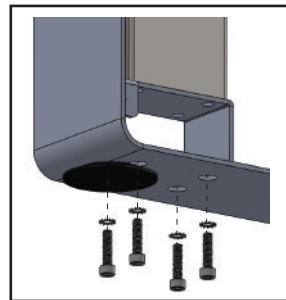


Flat Head Screw, M6x12 X4

Wall Mount Height Adjustable Mesa Assembly



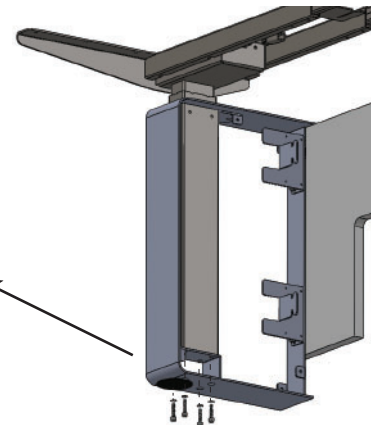
1 Adjust the framework to the distance between the bases. Slide the assembled lifting columns and framework in to the base attached to the back panel.



Socket Head Screw, M6x16 X8

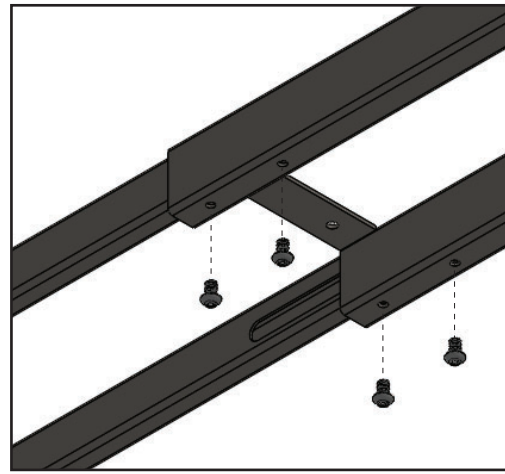
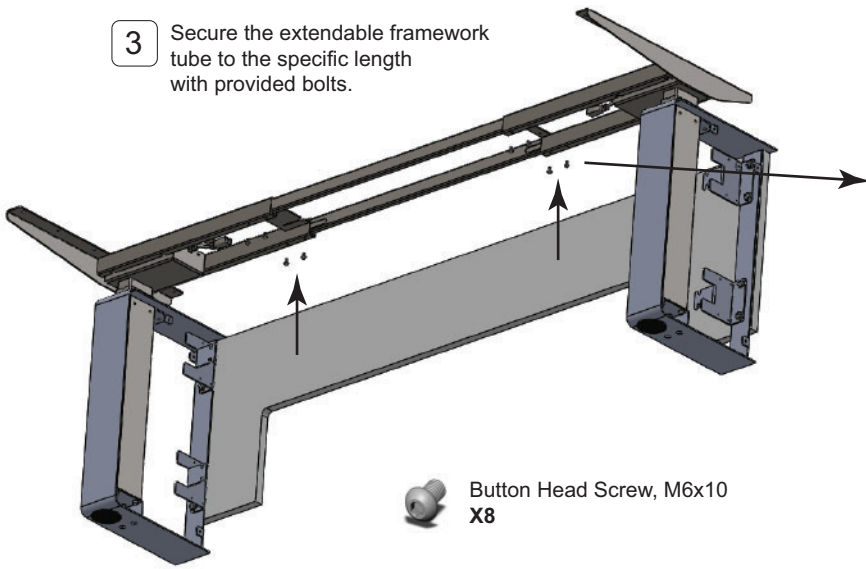


Star Washer, M6 X8

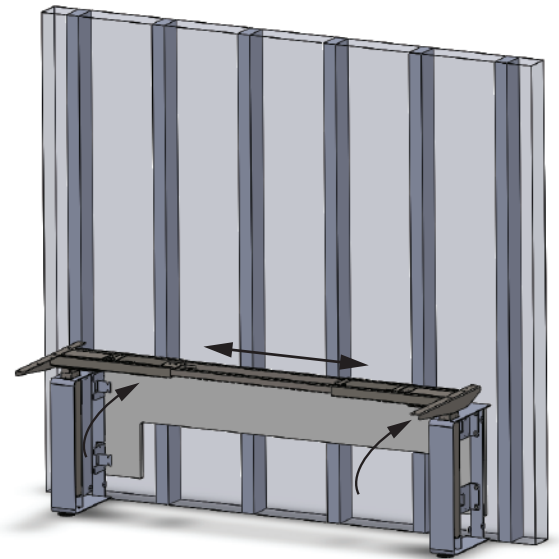
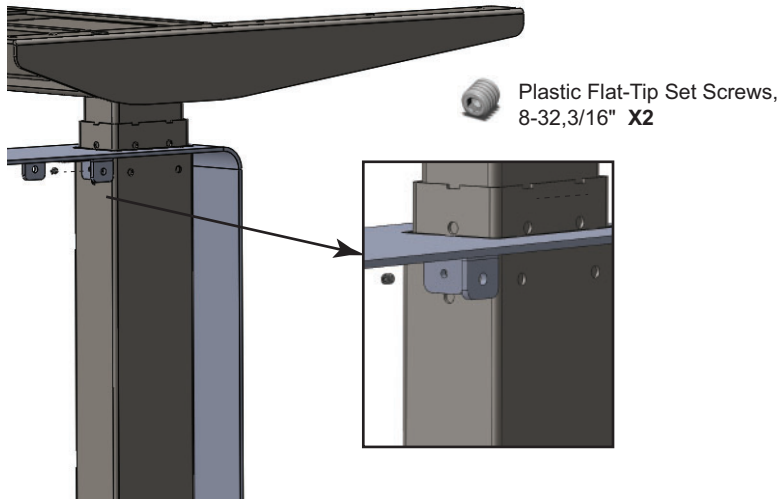


2 Connect the lifting columns to the bottom of the base using screws and star washers.


- 3 Secure the extendable framework tube to the specific length with provided bolts.




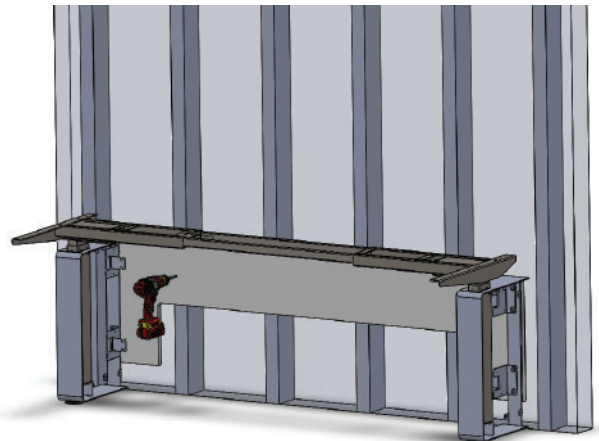
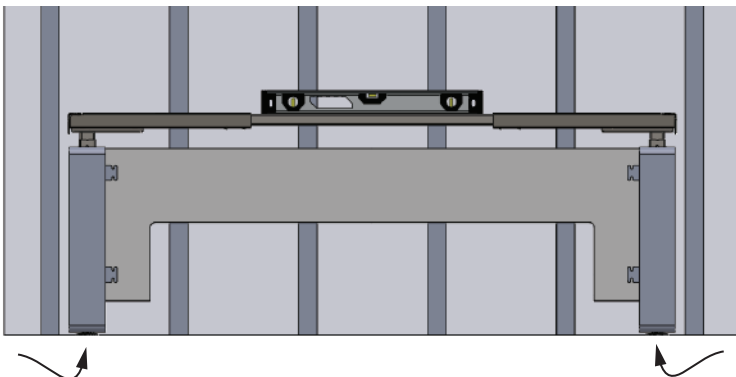
- 4 There is a set screw on the back of each lifting column support. Secure the leg to it's position by tightening the set screws provided.




- 5 Place the entire assembly up against the wall and locate as desired.

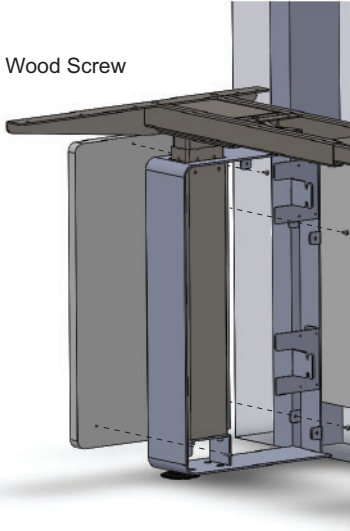
-  6 Make sure the assembled unit is level. Adjust the levelers as needed.

-  7 Choose wall mount hardware (not included) according to wall material. Connect the unit to wall and make sure it's fully secured from all sides.

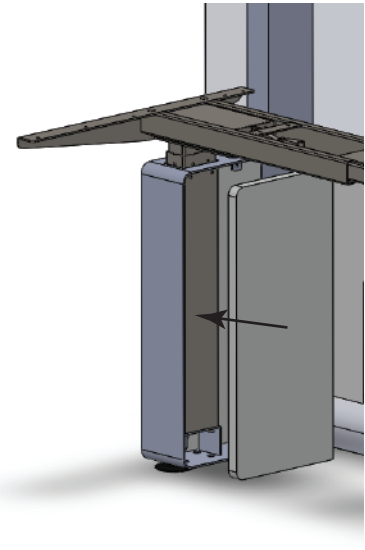


- 8 Connect the two outside laminate covers using the provided screws. There are pilot holes to guide the installation.

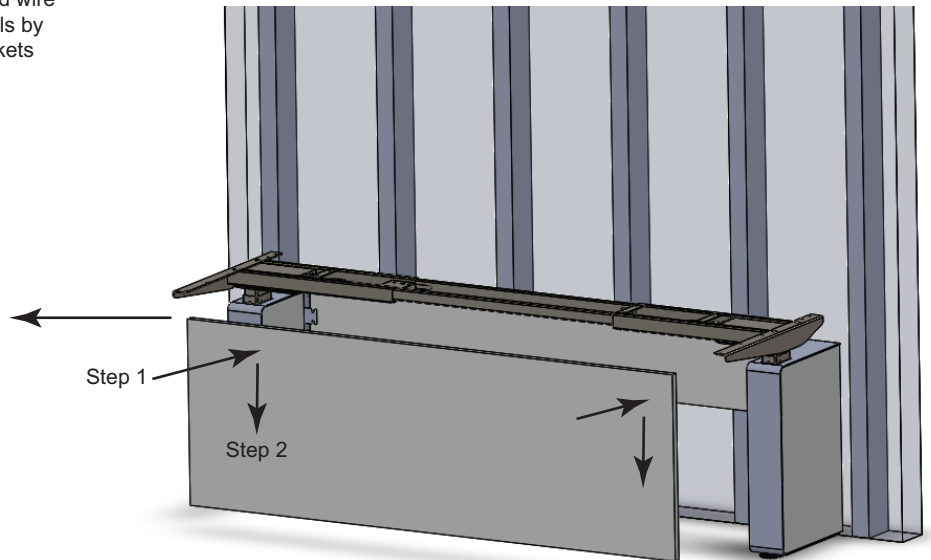
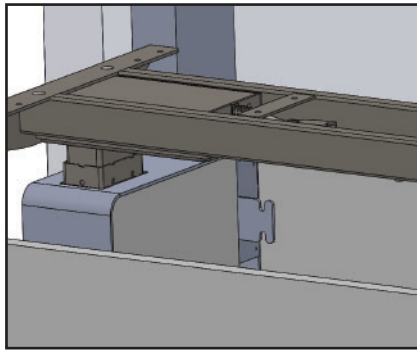
 No.10, 0.625in, Wood Screw
X8




- 9 The inner covers attach using magnets, no fasteners are required.

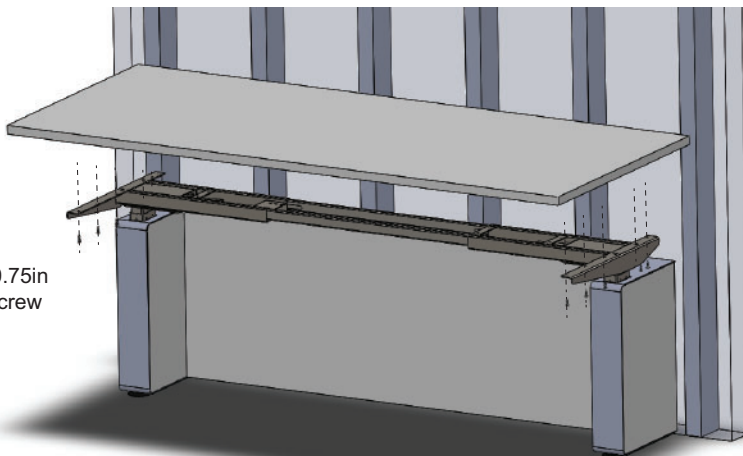


- 10 Before placing modesty panel, ensure wires and wire management is complete. Modesty panel installs by placing panel against and above modesty brackets and dropping down into place. Conversely, to remove, lift up and out.



- 11 Place the work surface on top of the framework. Use the provided wood screws to connect the top to the frame. There are pilot holes to help with the process. Make sure the work surface is 1" away from the wall.

 No.10, 0.75in
Wood Screw
X10



1" Required
from wall.

