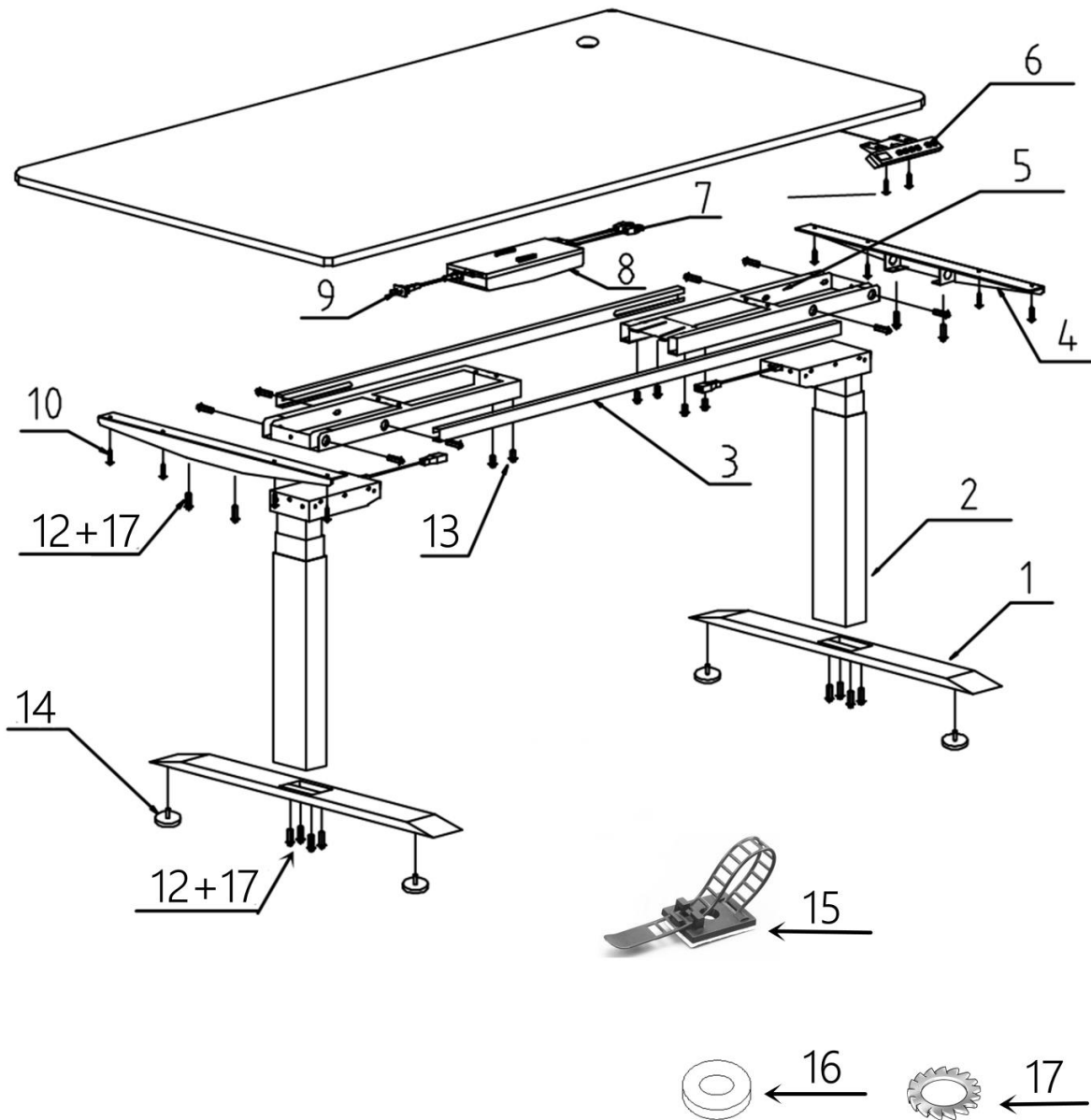


Mesa - 2 Leg Desk Assembly Instructions

a. Assembly Diagram



b. Packing list

Base Frame Components

1. Foot	-----	2pcs
2. Lifting Column	-----	2pcs
3. Extendable Tube	-----	2pcs
4. Side Support	-----	2pcs
5. Framework	-----	2pcs

Electrical Components

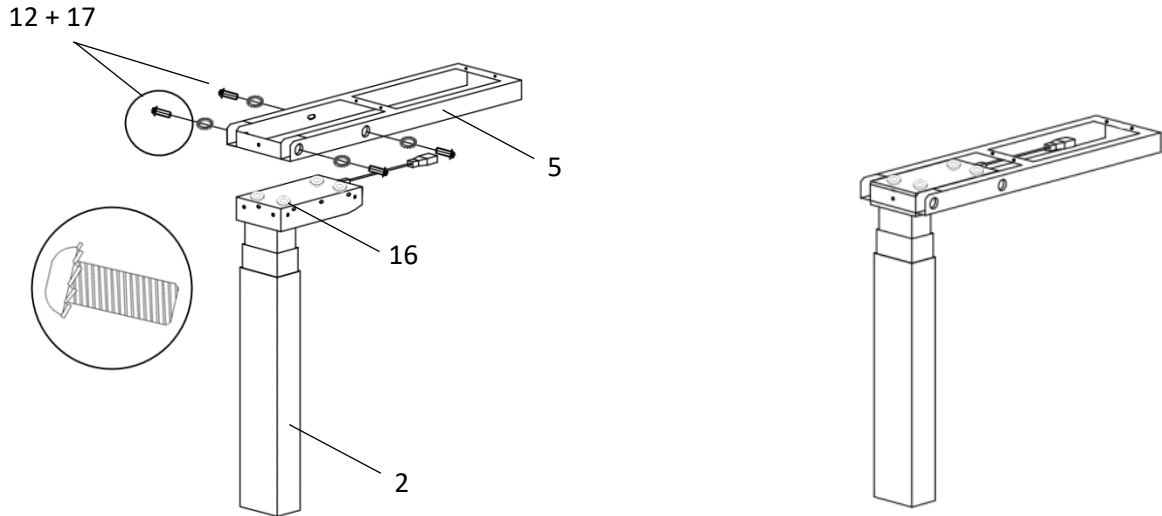
6. Handset	-----	1pc
7. Patch Cord-59"	-----	2pc
8. Control Box	-----	1pc
9. Power Cord-108"	-----	1pc

Hardware Components

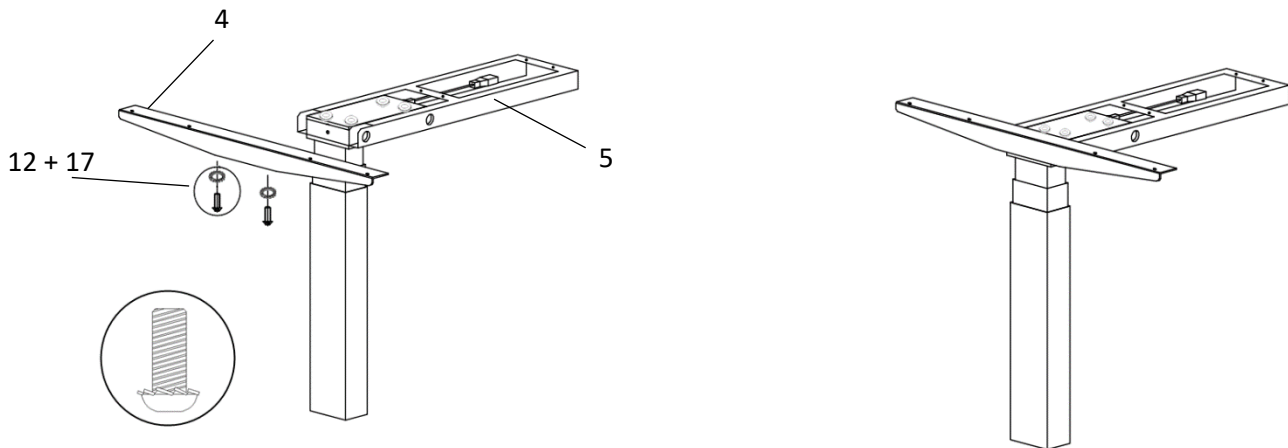
10. Screw #12x3/4	-----	17pcs
11. Screws #8x3/4	-----	11pcs
12. Bolt M6x16	-----	20pcs
13. Bolt M6x10	-----	8pcs
14. Leveling Glide-1"	-----	4pcs
15. Cable Tie	-----	5pcs
16. Rubber Pad	-----	16pcs
17. Star Washer	-----	20pcs
18. 4mm Hex Wrench -Ball Point	-----	1pcs
19. 4mm Hex Bit	-----	1pcs

c. How to Set Up the Base Frame.

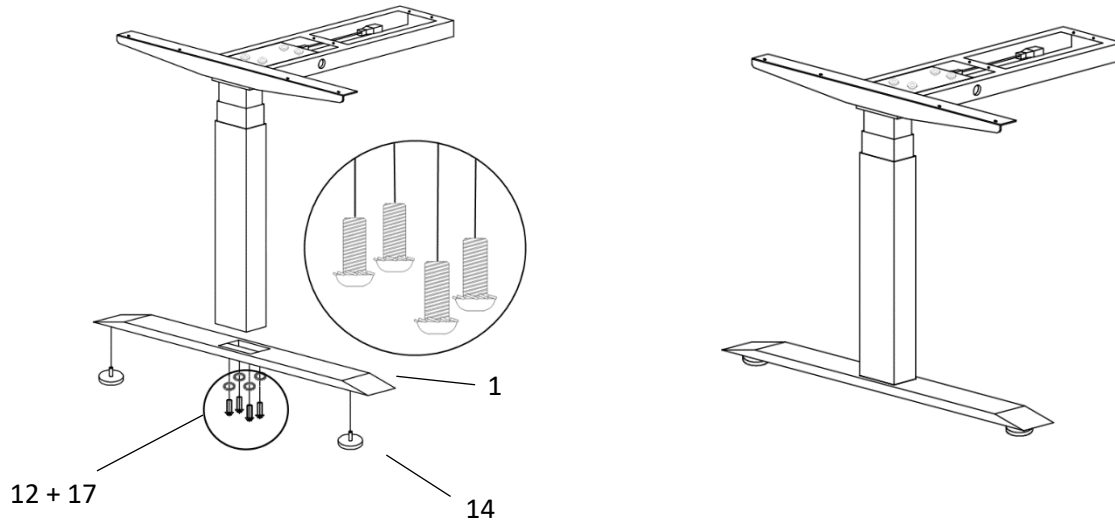
1. Install Rubber Pads on top of lifting column x 4 (Part 16).
2. Install framework x1 (Part 5) on lifting columns x1 (Part 2) with Screws x4 (Part 12) and Star Washers x4 (Part 17).



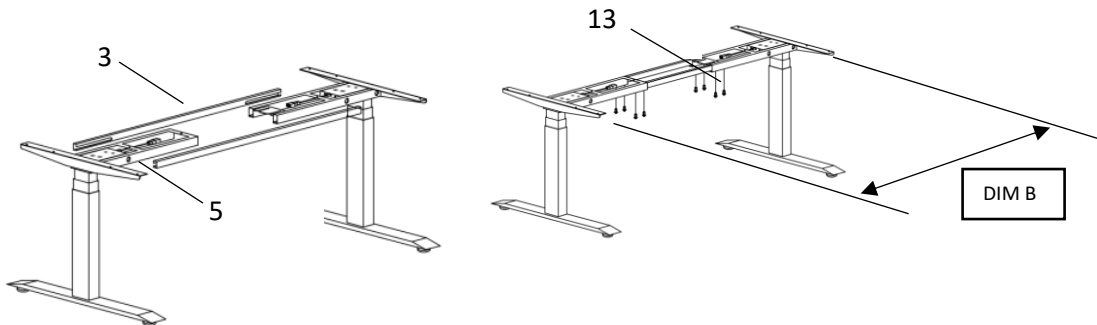
3. Install Side Support (Part 4) with Screw x2 (Part 12) and Star Washer x2 (Part 17) To Framework (Part 5).



4. Install Foot x1 (Part 1) and Leveling Glide x2 (Part 14).
5. Install Foot x1 (Part 1) on Lifting Column x1 (Part 2) with Screws x4 (Part 12) and Star Washers x4 (Part 17).
6. Repeat Steps 1 to 5 for second leg assembly.

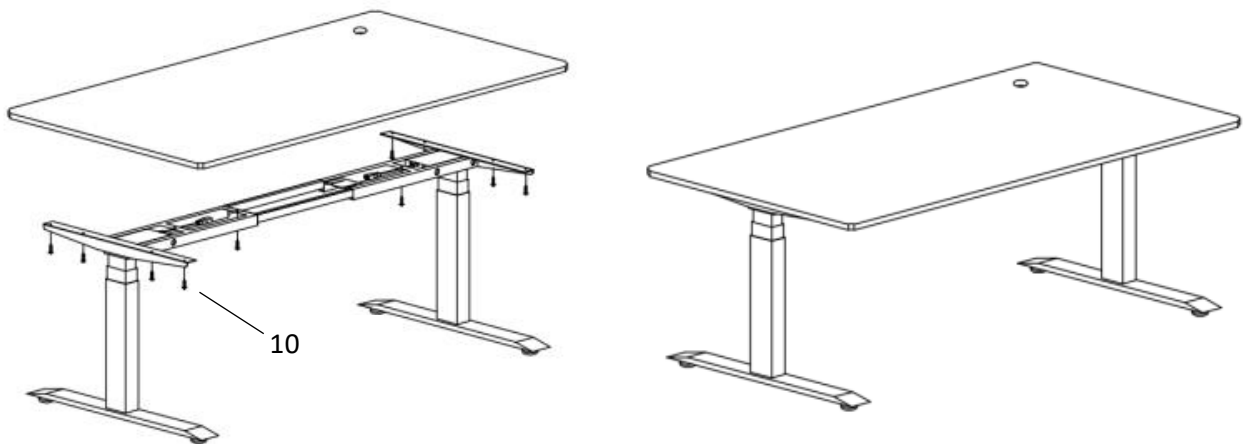
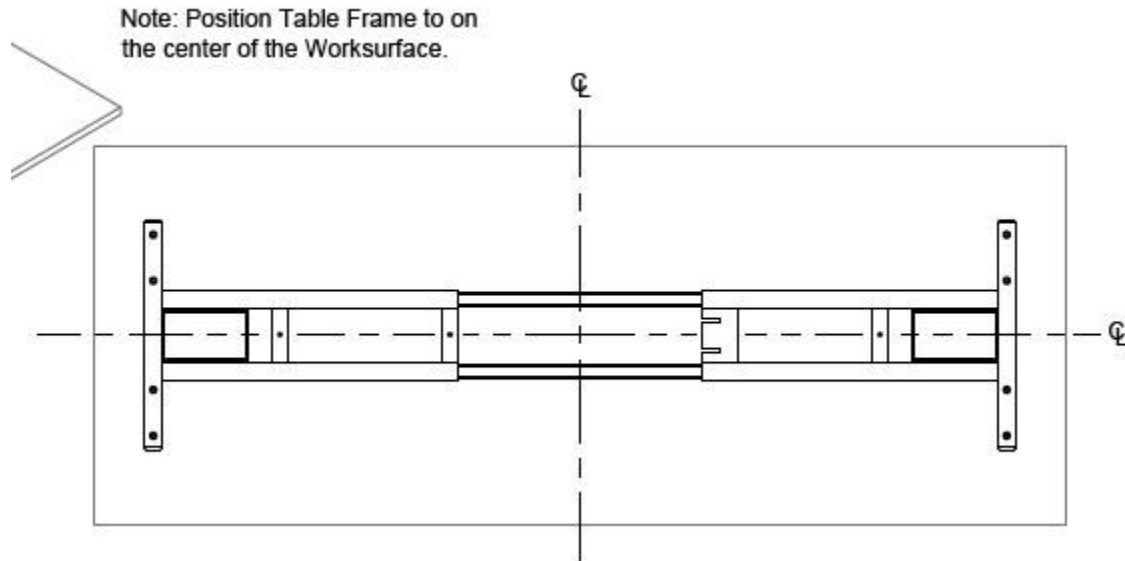


7. Insert Extendable Tube x2 (Part 3) into open Framework Ends x2 (Part 5)
8. Set width of base (Dim B) according to width of table top (Dim A). Refer to grid below. Tighten bolts x 8 (Part 13) to set the base frame to the correct width.



Nominal Width	Dimension	
	A Top Width	B Base Width
83	83.5	72
77	77.5	72
71	71.5	69.5
59	59.5	57.5
47	47.5	45.5

9. Install desktop, position in the center of the top as pictured below.
10. Use screws x16 (Part 10) to attach the base to the table top.



11. Install the control box x1 (Part 8) using screws x 2 (Part 11) and the Handset x1 (Part 6) using a screwdriver and screws x 2 (Part 11).
12. Attach Patch Cords x2 (Part 7) to 6 Pin connector on Control box (Part 8) and 6 Pin connector on Lifting columns (Part 2).
13. Attach handset RJ45 connector (Part 6) to Control Box switch port (Part 8).
14. Install the power cord (Part 9) to Control Box (Part 8).
15. Plug power cord in to power supply.
16. Initialize table by pressing and holding down the down button on the handset. The handset will display "RES" to confirm the reset command.
17. Table is ready for use.
18. Consult User instructions for more display and calibration options.

