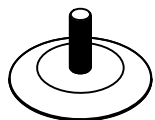
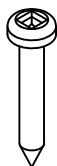
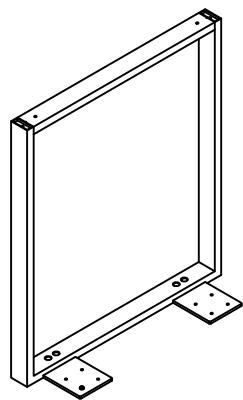
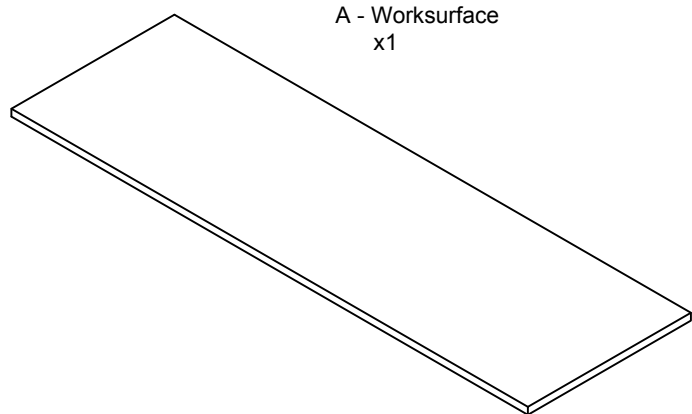
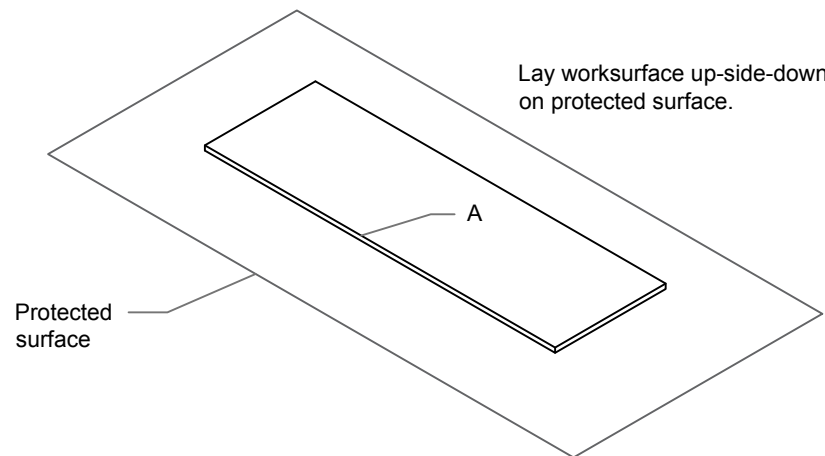


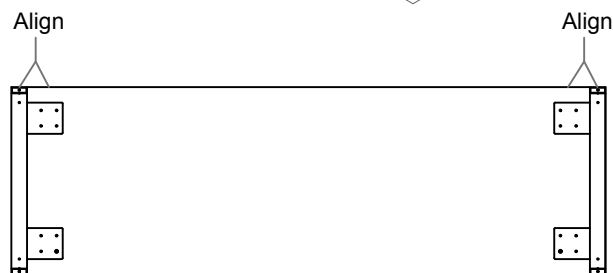
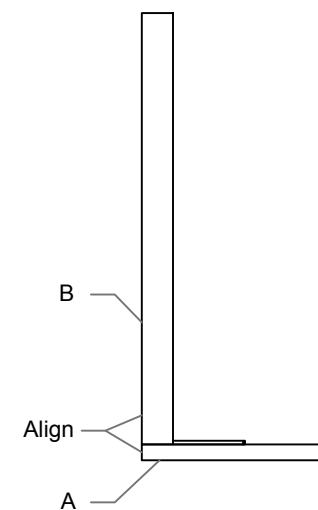
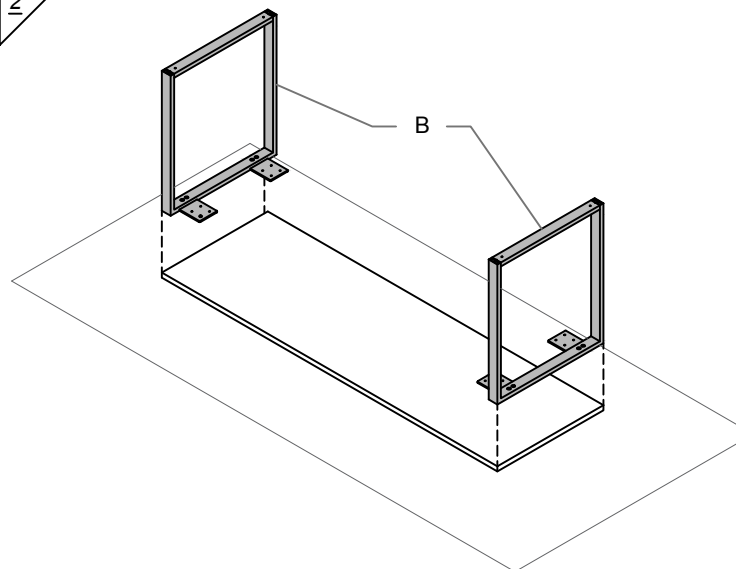
BOM



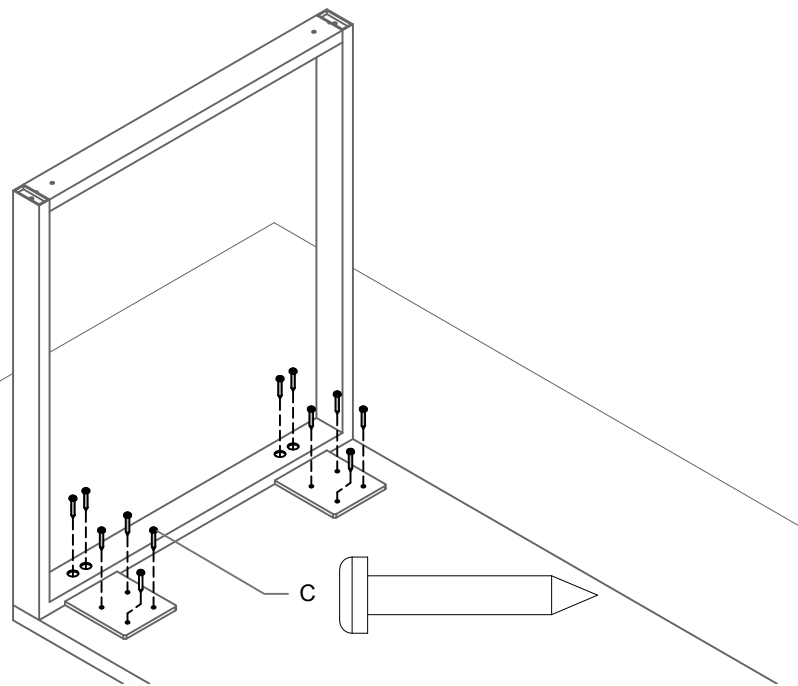
1



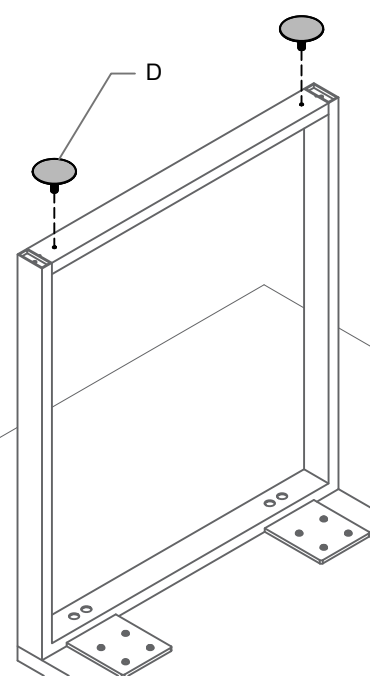
2



3

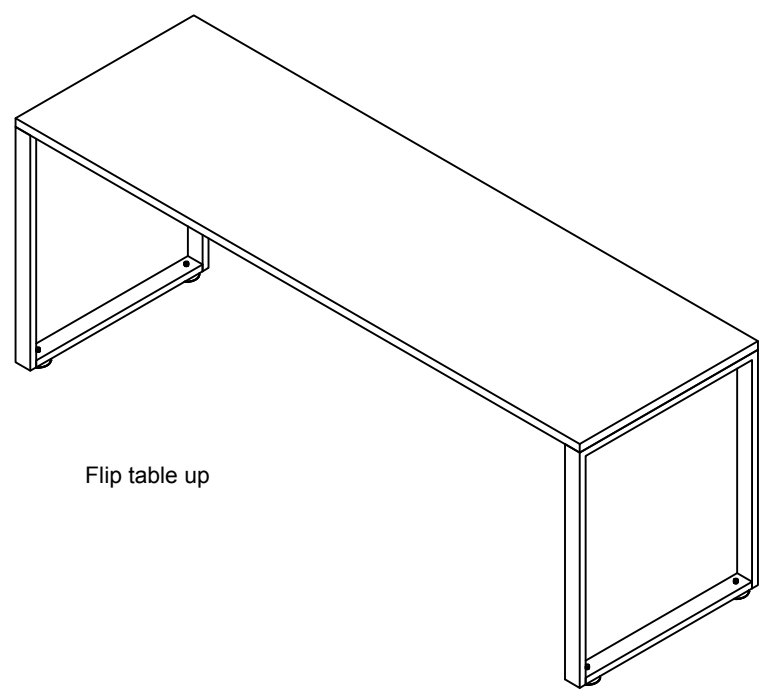


4



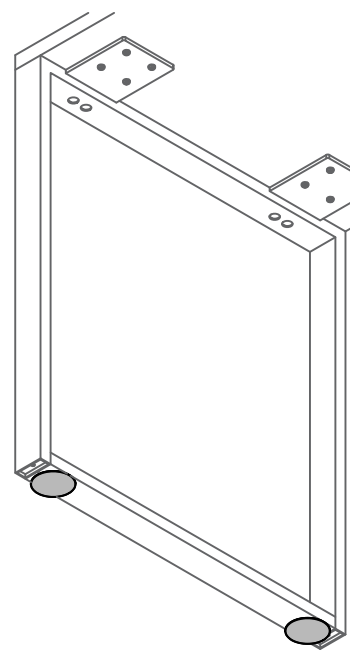
NOTE: Repeat step 3 & 4 on both sides of the O-Leg.

5



Flip table up

6



Adjust levelers to level table