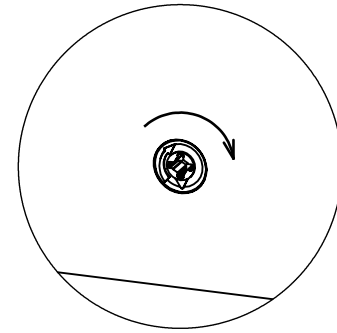
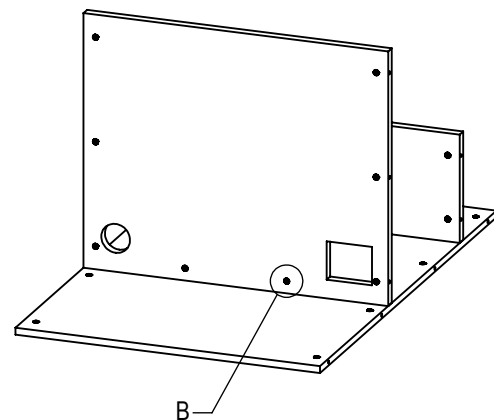
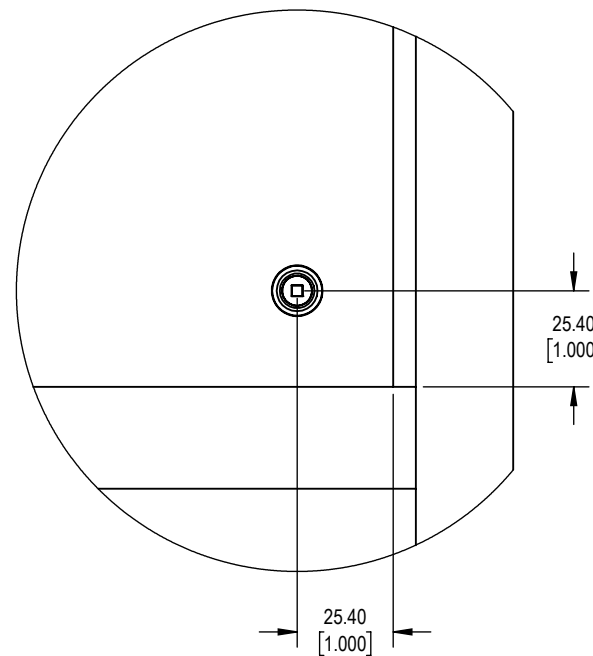
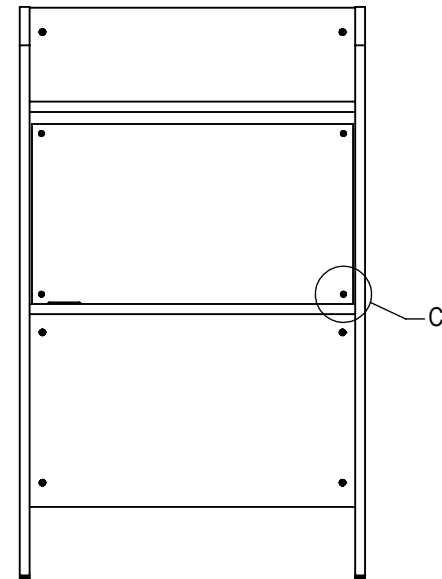
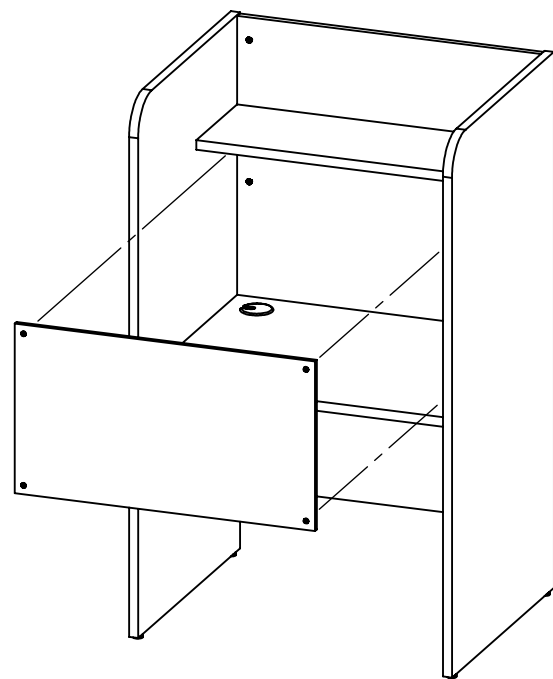
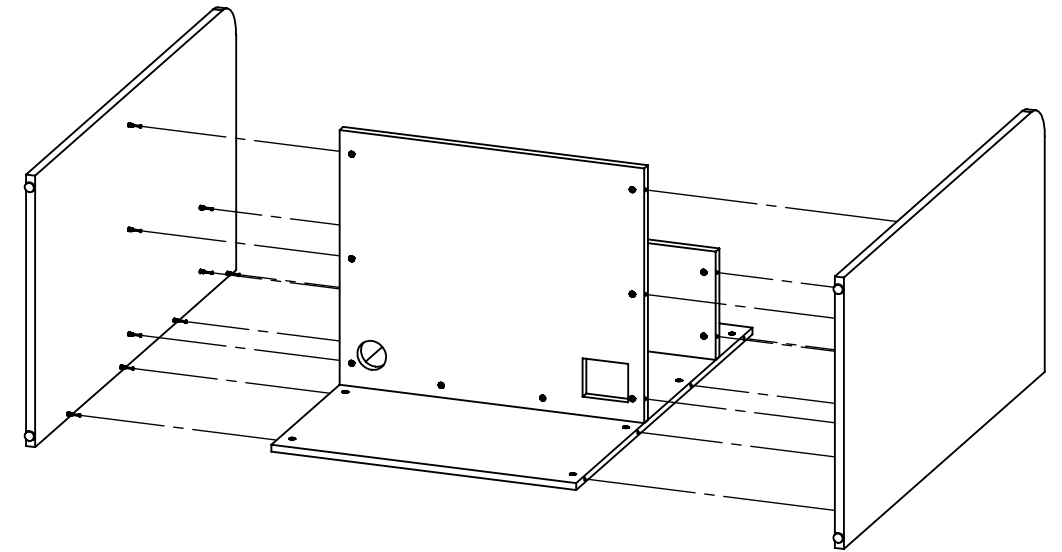


DETAIL A



DETAIL B

TURN CLOCKWISE  
FOR LOCKING CAM & PIN



DETAIL C

STEP1 - PLACE CLEAN PROTECTIVE SHEET ON FLOOR

STEP2 - LAY BACK PANEL ON PROTECTIVE SHEET, CAM HOLES FACING UP

STEP3 - INSTALL CAM PINS IN BACK PANEL FOR WORKSURFACE (SEE DETAIL A) & INSTALL CAM PINS IN BACK PANEL FOR SHELF (IF SHELF IS PRESENT)

STEP4 - INSTALL CORESPONDING CAMS INTO WORKSURFACE & INSTALL CAMS INTO SHELF (IF SHELF IS PRESENT)

STEP5 - ALIGN WORKSURFACE PINS & CAMS, ASSEMBLE PANEL(S), LOCK PANELS TOGETHER BY TURNING CAMS CLOCKWISE 180DEG (SEE DETAIL B)

STEP6 - INSTALL LEVELERS INTO BOTTM EDGE OF GABLES

STEP7 - INSTALL CAM PINS IN GABLE PANELS FOR BACK, WORKSURFACE & SHELF (IF SHELF IS PRESENT)

STEP8 - INSTALL CORESPONDING CAMS INTO BACK, WORKSURFACE & INSTALL CAMS INTO SHELF (IF SHELF IS PRESENT)

STEP9 - ALIGN GABLE PINS & CAMS, ASSEMBLE PANELS, LOCK PANELS TOGETHER BY TURNING CAMS CLOCKWISE 180DEG

STEP10 - INSTALL COVER CAPS OVER EXPOSED CAMS, ALIGN WOOD GRAIN OF CAP WITH GRAIN DIRECTION OF PANEL (WHERE APPLICABLE)

STEP11 - ADJUST GABLE LEVELERS AS NEEDED

STEP12 - CENTER TACKBOARD BETWEEN GABLES, BOTTOM EDGE OF TACKBOARD RESTING ON WORKSURFACE

STEP13 - INSTALL TACKBOARD WITH SCREWS & FINISHING WASHERS, APPROXIMATELY 1" IN FROM TACKBOARD CORNER (SEE DETAIL C)

ZONE	REV	DESCRIPTION	DRW BY	DATE
REVISIONS				
DRAWN BY		ER	CHECKED BY	ENG BY
DATE		2023-08-28	DATE	DATE
APPROVED BY				
DATE				
CUSTOMERSERVICE@BRC.GROUP		TITLE		
PHONE: 905-873-8509		STUDY CARREL ASSEMBY INSTRUCTION		
TOLL FREE: 877-260-4309		DWG NO		
FAX: 905-873-8166		REV		
UNITS	3RD ANGLE PROJECTION			
METRIC				
SHEET	SCALE	SIZE	MATL	FINISH
1 OF 1	1:20	B		

THIS DRAWING IS THE CONFIDENTIAL AND PROPRIETARY INFORMATION OF BRC BUSINESS ENTERPRISES LIMITED. ANY PARTY ACCEPTING RECEIPT OF THIS DRAWING DOES SO ON THE EXPRESS UNDERSTANDING AND AGREEMENT THAT IT WILL NOT BE COPIED, REPRODUCED, DISCLOSED TO THIRD PARTIES OR USE THIS DRAWING FOR ANY PURPOSE OTHER THAN THOSE EXPRESSLY AGREED TO BY BRC BUSINESS ENTERPRISES LIMITED IN WRITING.