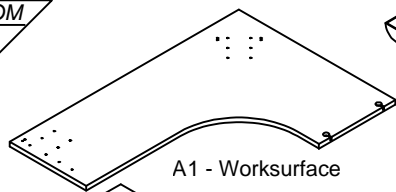
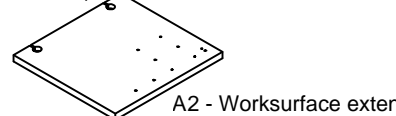

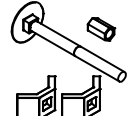
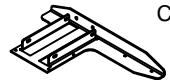



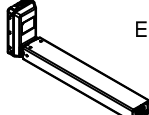




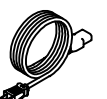
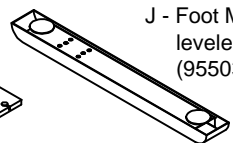










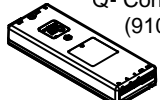

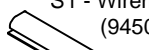
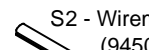
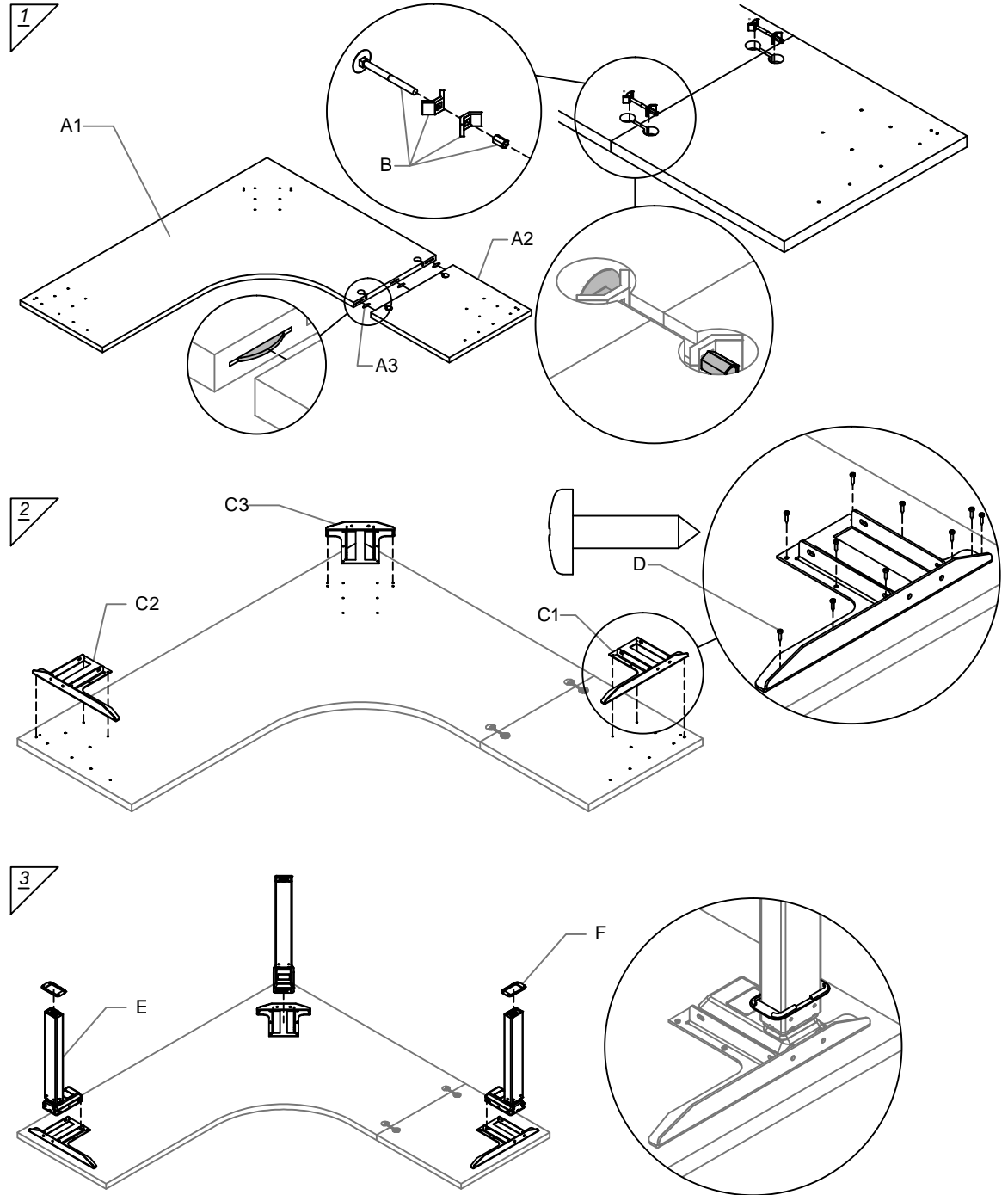
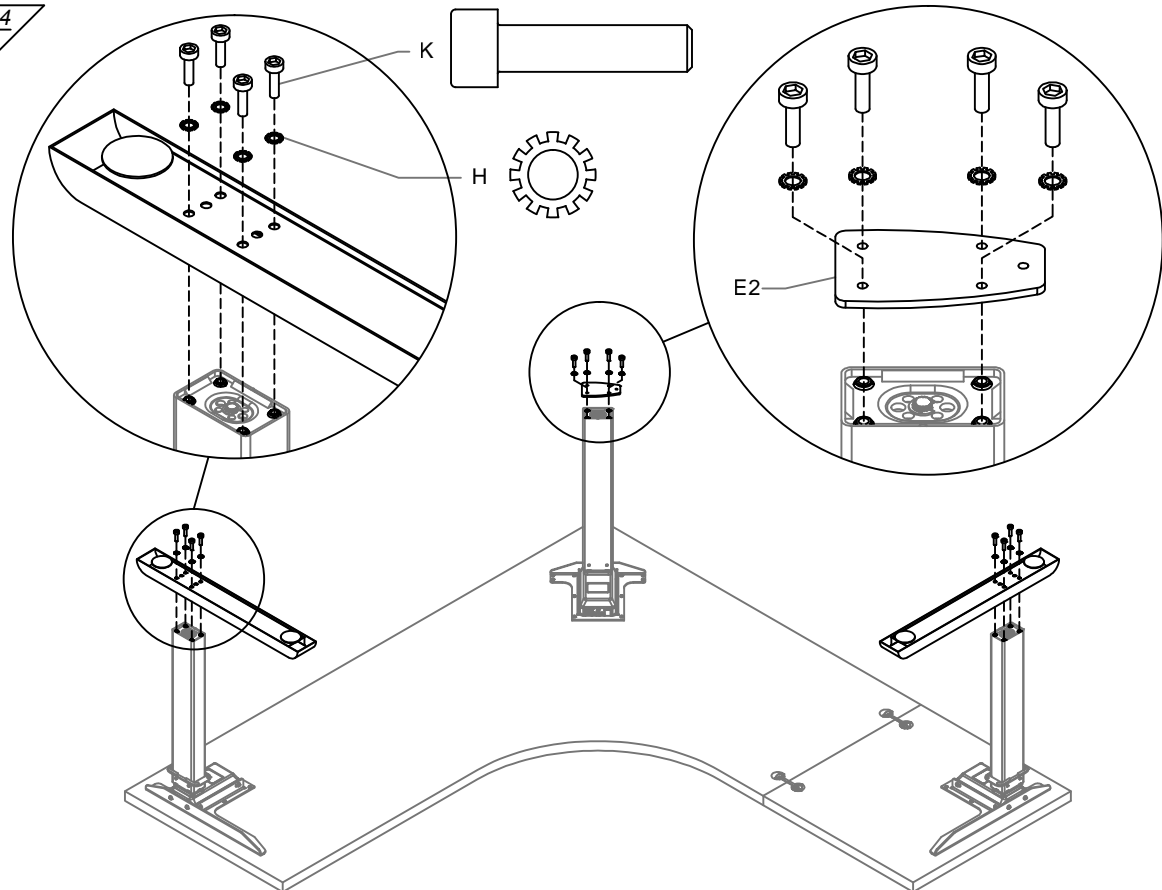


BOM

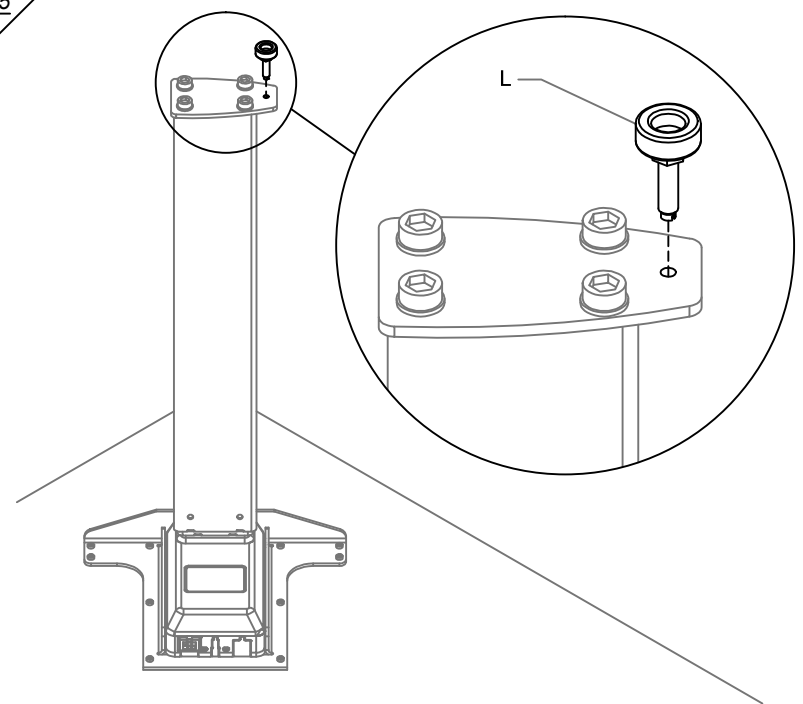
-  A1 - Worksurface
-  A2 - Worksurface extend
-  A3 - Biscuit for Joining (9200406) x3
-  B - Bolt Counter connector (9200012) x2
-  C1 - Top mount DL6 bracket left (9200218) x1
-  C2 - Top mount DL6 bracket right (9200221) x1
-  C3 - Top mount DL6 bracket center (9200222) x1
-  D - #10A, 3/4" pan head screw (9200818) x50
-  E1 - DL6 leg, up right, BIFMA w/Piczo (9100188) x3
-  E2 - Corner-DL6 plate (9302322) x1
-  F - Grommet for DL6 foot (9301143) x2
-  G - M6x16mm pan head (9200843) x18
-  H - 1/4" externaltooth washer (9201005) x30
-  I - Power cord US black 3.2m (9100036) x1
-  J - Foot MEE/MCC set with levelers (9550325) x2
-  K - M6x25mm, socket head cap (9200925) x12
-  L - Leveler, 1"x5/16x1" (9200600) x1
-  M1 - Support Bar .75x1.5x48" - x2
-  M2 - Support Bar .75x1.5x60" - x2
-  M3 - End Cap Black Plastic 1-1/2"x3/4" (9300901) x8
-  N1 - Motor Cable DL4-1000 (9100035) x2
-  N2 - Motor Cable DL4-2000 (9100041) x1
-  O1 - Switch DPF1K (9100132) x1
-  O2 - Switch Bracket (9200190) x1
-  P - #8A, 5/8" pan head (9200897) x2
-  Q - Control box for DL6 (9100144) x1
-  R - #8A, 2" flat head (9200837) x2
-  S1 - Wireman 1.5"x6" (9450019) x2
-  S2 - Wireman 1/2"x6" (9450006) x1



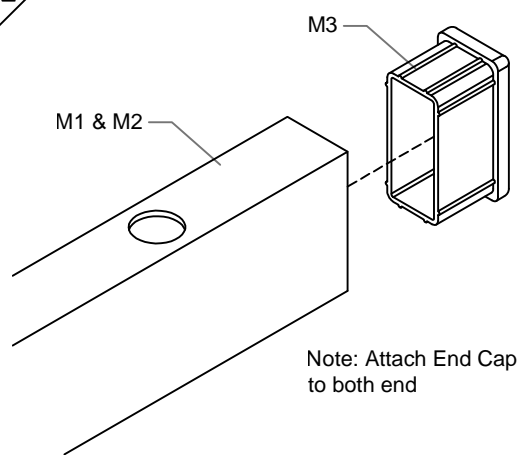
4



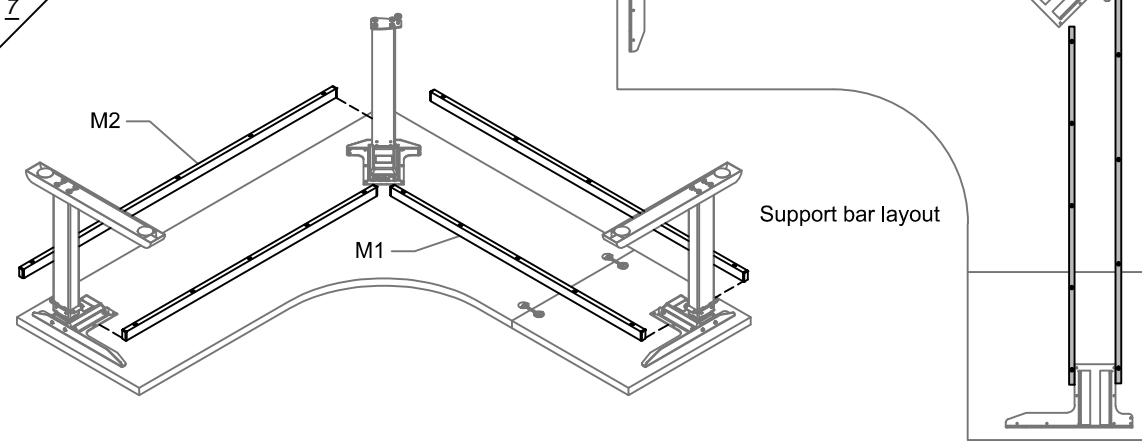
5



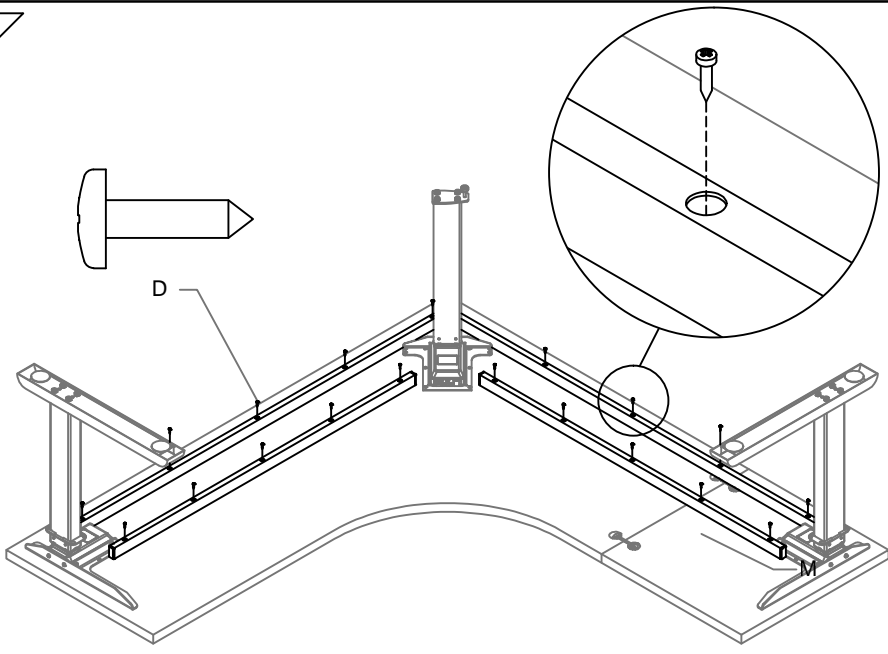
6



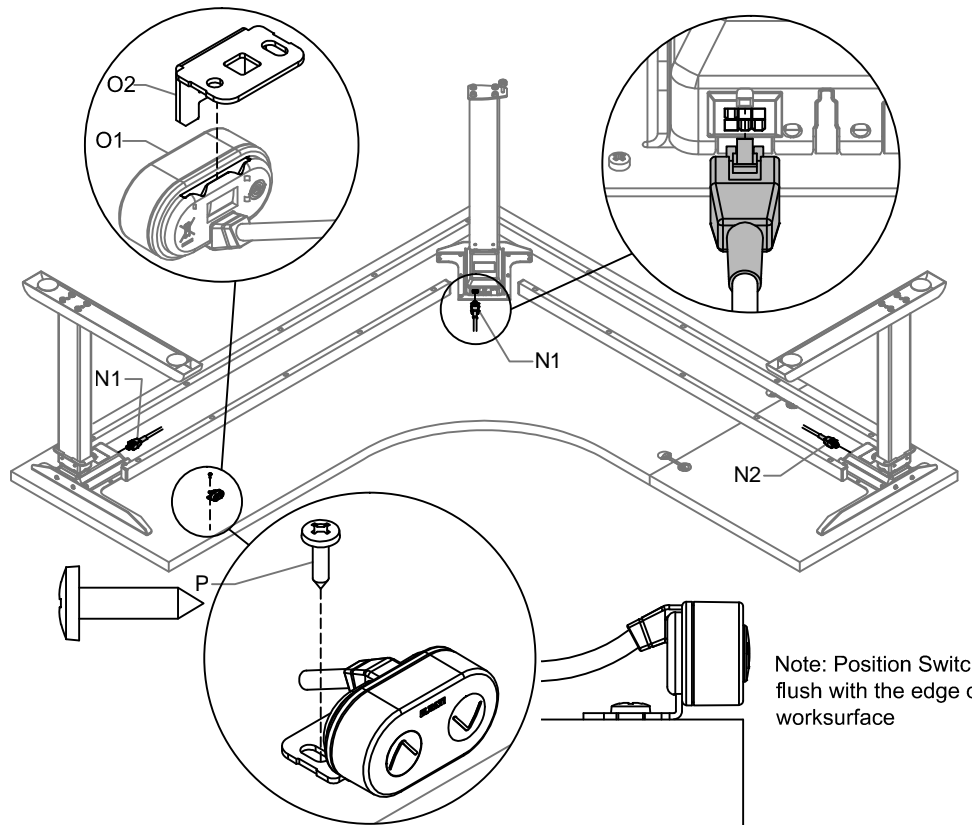
Z



8

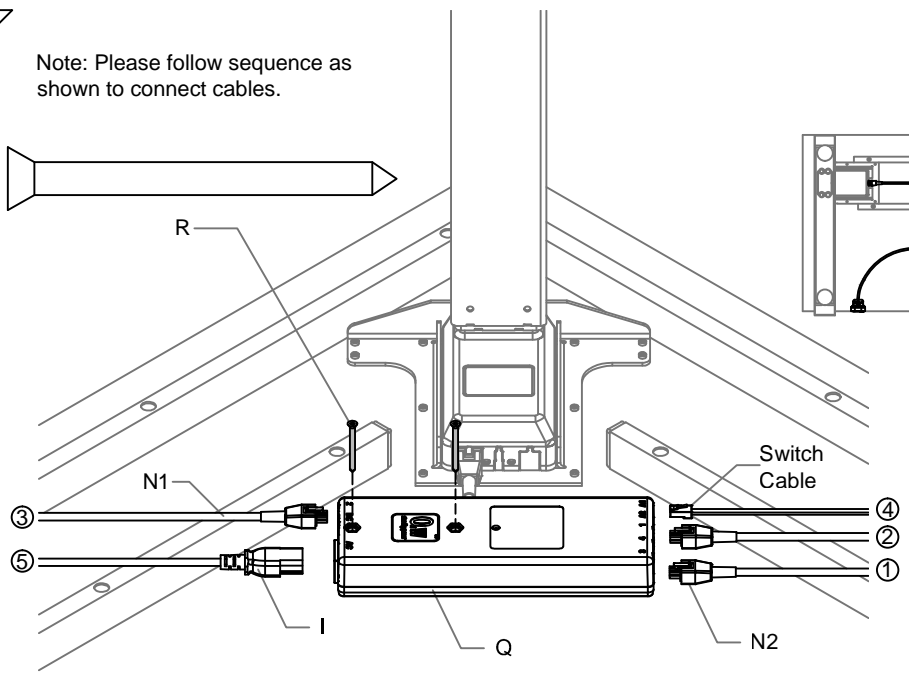


9

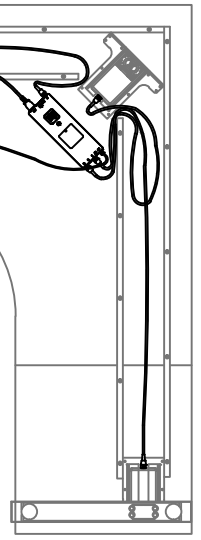


10

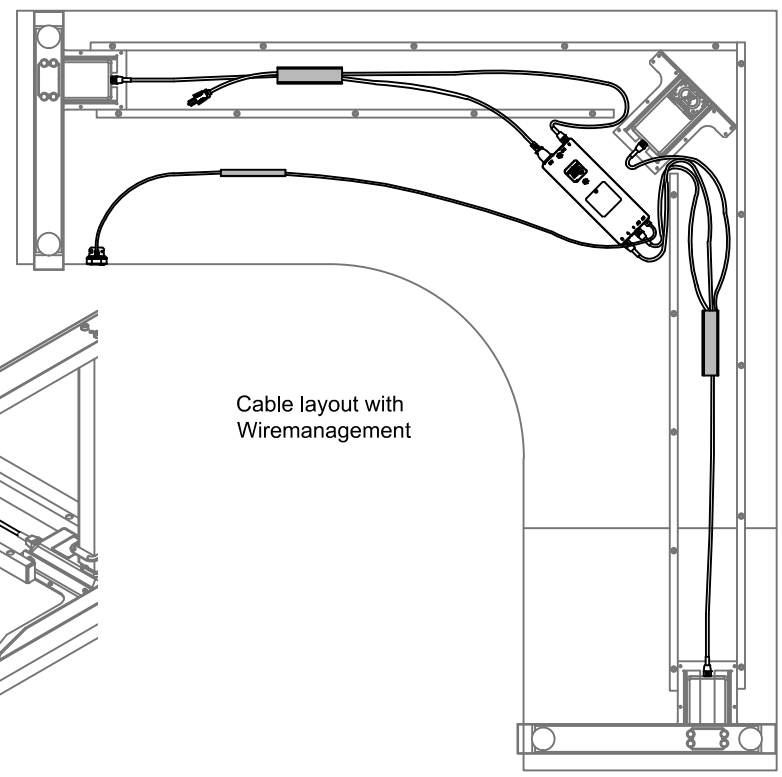
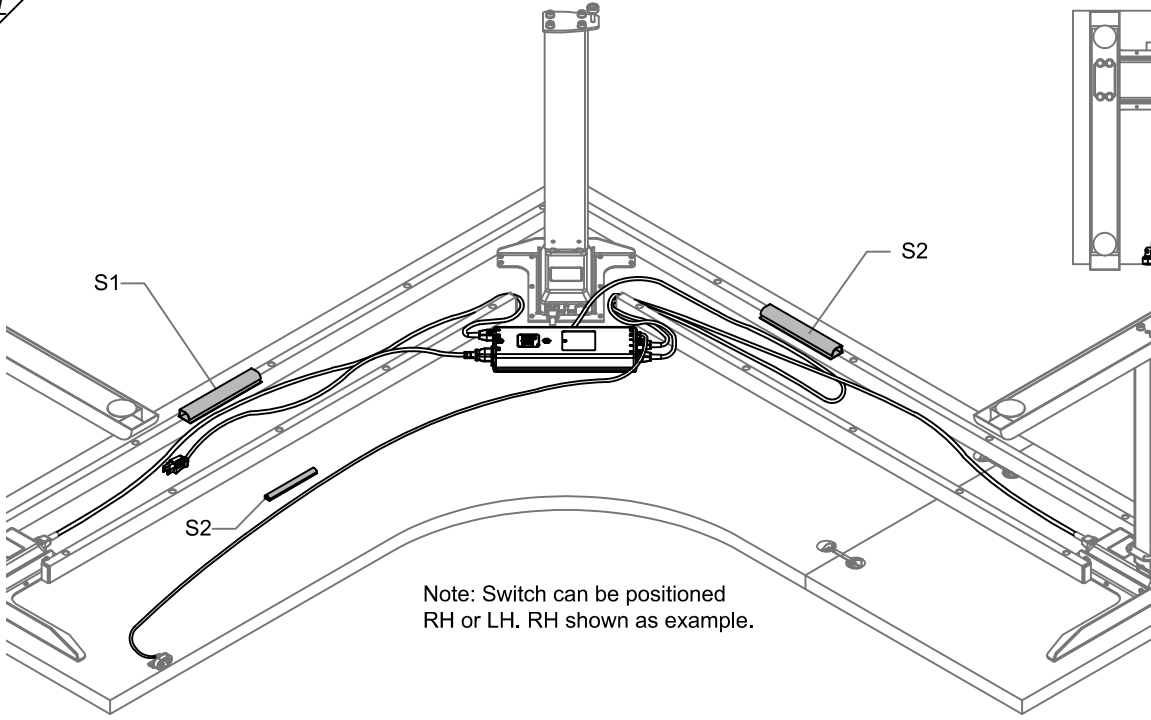
Note: Please follow sequence as shown to connect cables.



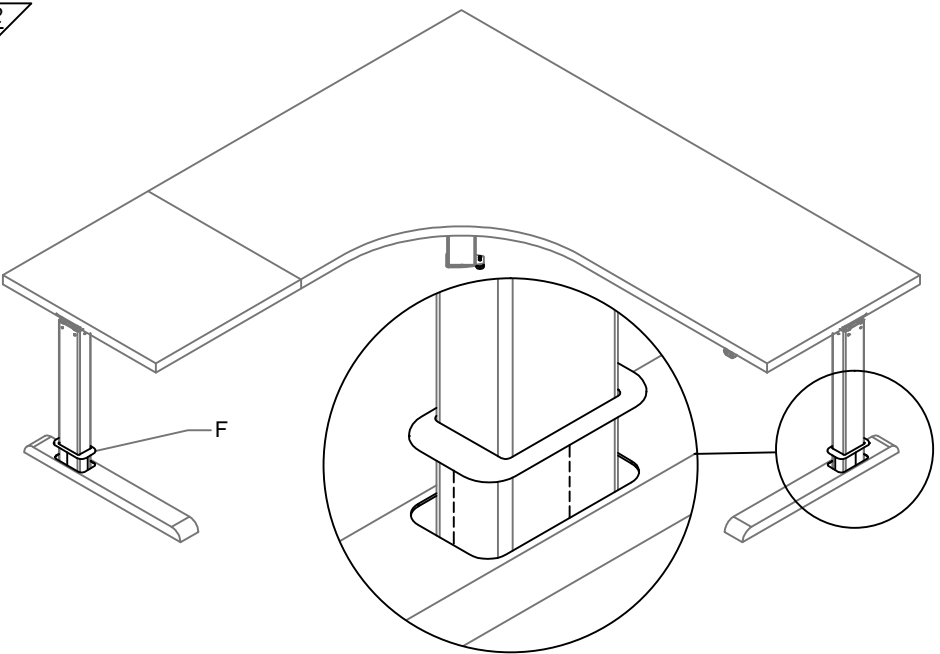
Cable layout



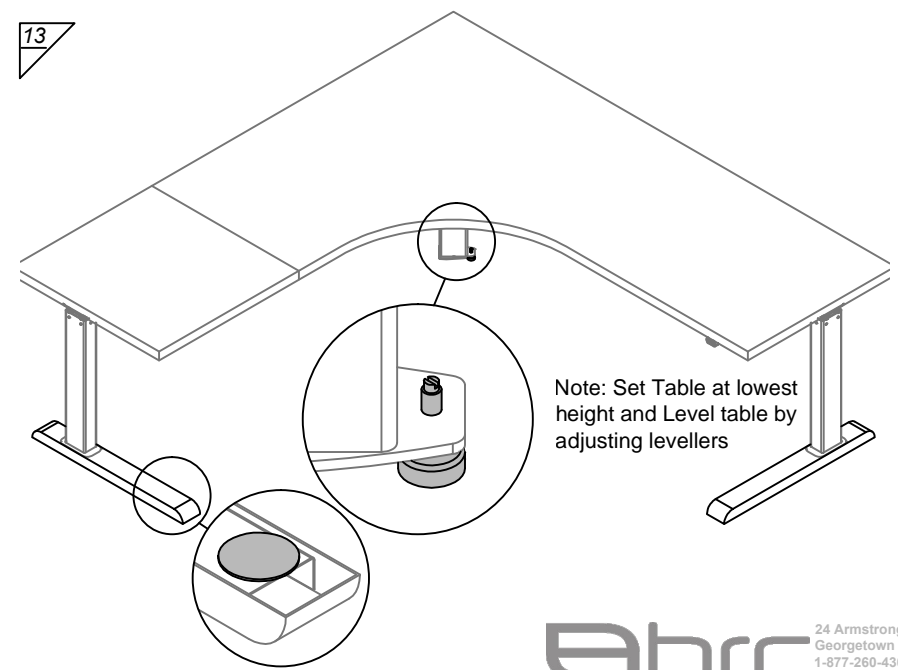
11

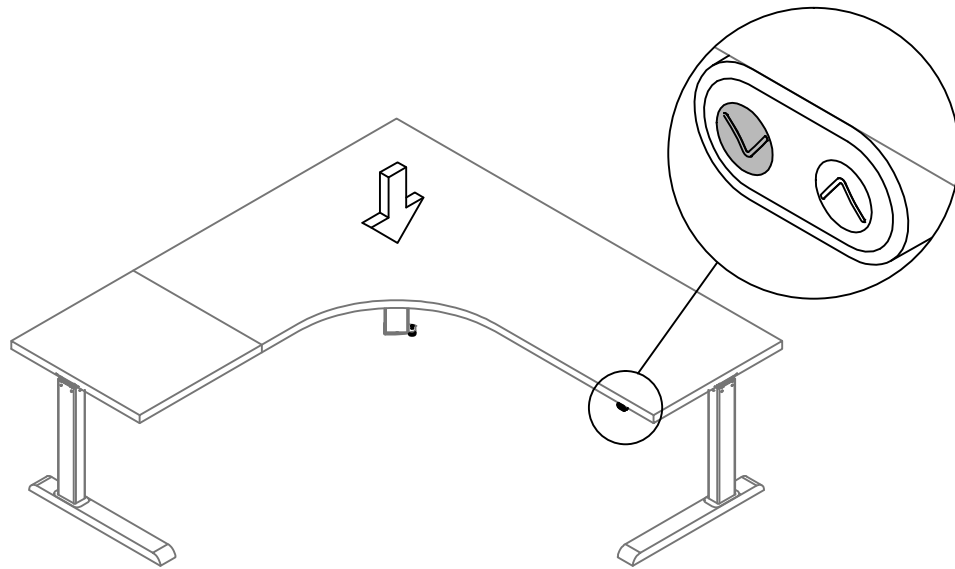


12



13





### Initialisation of the DESKLINE DL6 parallel systems

The DESKPOWER system is initialised by pressing the down button once or twice and holding it down until the DL6 runs into end stop. It will then automatically run approx. 5mm out again and hereafter slowly run in again. Only release the down button when the movement has completely stopped.

\* If the button is released before the sequence is complete then the initialisation is interrupted and must be started again from the beginning.

It is sometimes necessary to press the down button twice to start the initialisation, this is because the system can be in different modes when the initialisation starts. There will be a 1.25 sec. delay. If an error situation occurs at the end stop positions or DL6 are changed to another stroke length, then CBD6 control box has to be initialised again.

The first two times the system runs into the outward end stop, it will automatically run approx. 3mm back in inward direction.

### Troubleshooting

Description of Problem	Solution 1	Solution 2	Solution 3
Lifting column will not go up or down	Verify that power supply has power by testing with a plug in lamp or other device. Check to ensure that connections were made in the proper sequence as shown on installation guide. Try disconnecting all and reconnect in the proper sequence. Test again	Check pins on the lift column lead to make sure no pins were damaged. Check pins on the CBD6 - control box to ensure that pins are not damaged	Check wires to ensure that they are not pinched or damaged
Lifting column will not go up or down	Disconnect AC power and motor cables. Try changing the position of the motor cables, and retest		
Leg makes a loud noise when raising or lowering	Inspect leg for physical damage. Contact BRC customer service for information pertaining to leg service or change		
Programmable switch with Digital readout is blank when connected	Disconnect AC power. Disconnect switch cable and motor cables from the control box. Wait 10 minutes with power off. Reconnect cables in this sequence. (1) Motor cables to control box. (2) Switch cable to control box. (3) Connect AC power to control box. (4) follow initialization process as outlined above	Repeat steps outlined in solution 1. Ensure wait time is adhered to, and that connection sequence is correct.	Programmable switch remains blank after solution 1. Contact BRC customer service. BRC customer service to arrange for sales rep to supply a firmware update for the programmable switch unit. (special cable required for operation)
Leg Chatter on downward travel	If programmable switch is being used on the desking system, report if an error code is being displayed on the switch. BRC reference error code chart for causal factor and solution.	(a) Test table with top - record results (b) Test table with top - loaded with weight - record results (c) Test table base with no top - record results. If chatter exists in condition (a) Contact BRC customer service for information pertaining	

\*\*Note testing sequence should include the initialization sequence prior to usage



# SAFETY NOTICE

---

## **Instability Hazard**

Mobile items on casters such as flip top, personal and movable tables of any type and storage items of any type may present an instability hazard if not secured correctly while in use or in storage. Flip top tables or training tables of any type, are inherently more unstable when folded. BRC provides the following guidelines & warnings when using mobile products:

- Lock casters immediately after moving. Do not leave the casters unlocked when in use or in storage.
- Motion may increase the instability of any item with casters. If the wheels hit an obstruction the table's forward momentum often causes overturn, especially if the item is not equipped with wheel extensions. Exercise strong caution while moving these items.
- Use caution when abrupt level changes in the floor are present (such as a doorway or room threshold) as caster failure or tipping may result.
- Do not stand, sit or lean on mobile items for support. They are not intended for this use and personal injury or property damage may result.
- Mobile units that feature height adjustable elements must be lowered to the minimum compressed height when moving to prevent instability. It is also recommended the user remove all computer equipment or other accessories to prevent possible weight imbalance or damage to equipment.
- Failure to follow the guidelines above may result in property damage or personal injury.

## **Heavy Load**

- This product must be anchored to wall to ensure stability & safety.
- It is the owner and installers responsibility to ensure that the wall type and construction is of sufficient strength to carry the loads of any wall mounted products and their contents.
- Failure of the wall and anchors to support all imposed loads may result in property damage or personal injury.
- BRC can provide size and empty weight of its products only. As wall blocking is considered a building construction process, BRC cannot provide recommendations in this respect and cannot be responsible for damage or injury that may occur as a result of improper installation and/or blocking.

## **Load Bottom Drawer First!**

- Operate one drawer at a time.
- Unit may tip if loaded incorrectly.
- Unit should be attached to a wall or other furniture to reduce tipping hazard.
- Always load the heaviest files in the bottom drawer.
- Failure to follow the guidelines above may result in property damage or personal injury.

11/2022