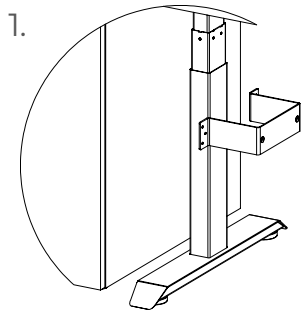
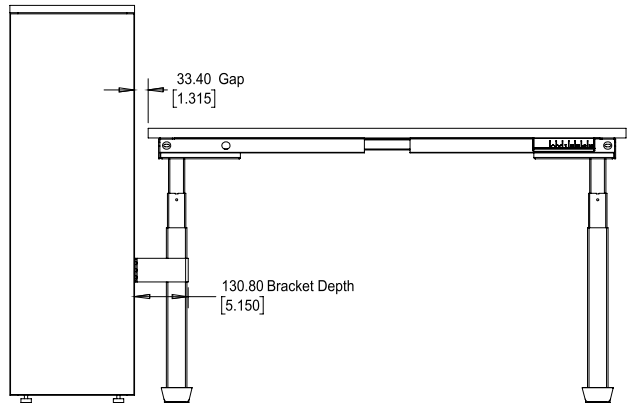
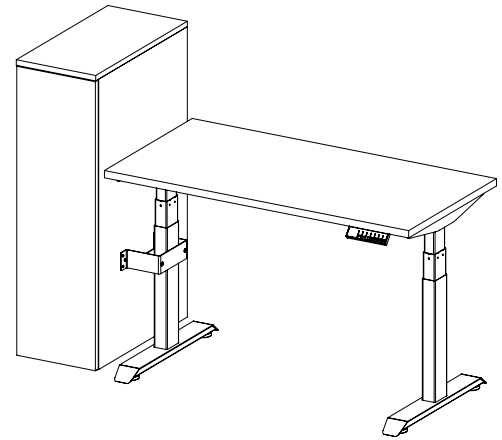
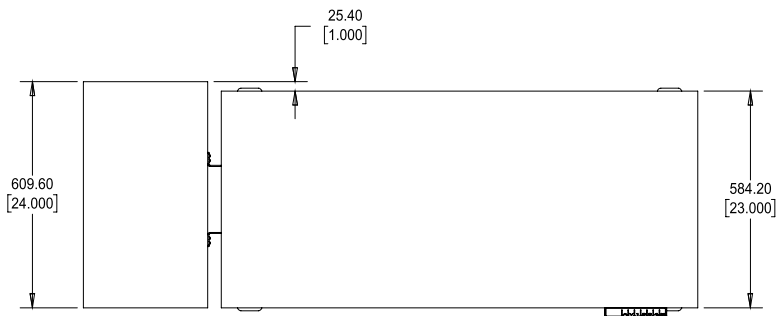
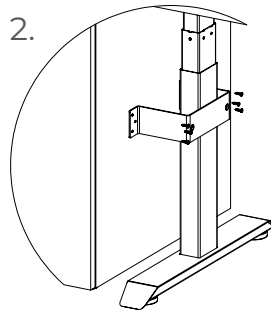


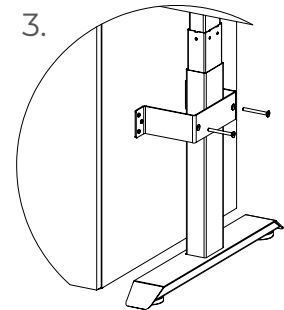
Side Support Bracket: FABSA / MABSA / NABSA / QNABSA



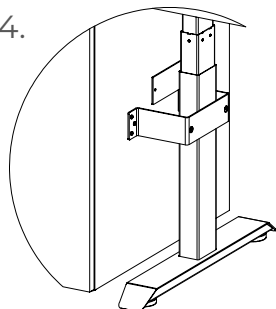
1. Position the bracket at least 14" away from floor



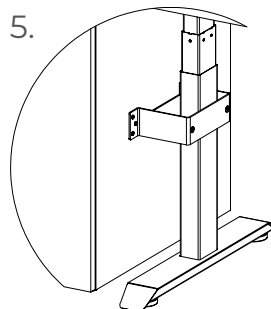
2. Secure to adjacent furniture using the 6 provided screws



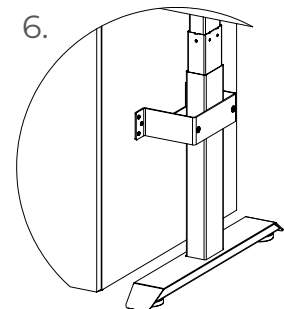
3. Insert the 2 long bolts provided



4. Place threaded plate between leg column and adjacent furniture



5. Secure long bolts to threaded plate loosely and confirm desk position



6. Tighten threaded plate to column firmly

