

SOFTSCAPE

Price Guide - 2026 R1



Product Map



IMPORTANT PRICING NOTICE

Prices in this catalogue are valid until **August 31, 2026.**

A 6% increase takes effect
September 1, 2026.

abrc

Thank you for choosing BRC

Established in 1979 and incorporated in 1983, BRC Group has grown into a leader in the research, development and manufacturing of high quality ergonomic office furniture. BRC is a Canadian-owned private company with modern manufacturing facilities in Georgetown, Ontario, Canada.

BRC is a forerunner in blending environmental initiatives with the manufacturing of renewable and recyclable products. BRC uses materials and manufacturing processes which virtually eliminate Volatile Organic Chemical (VOC) emissions in the office environment. Raw materials are responsibly sourced, assuring that only the best and most sustainable components are converted to finished goods. BRC is committed to developing and offering the best-value products for the middle and higher end markets.

From OEM solutions to obscure designer requests to simply striving to be better, BRC provides creative and innovative customized solutions to complement any environment and use. Flexible manufacturing offers the ability for BRC to respond to client's special needs rather than having standard catalogue solutions. A wide collection of textiles, laminate finishes and wood veneer allows companies and individuals to express their brand and culture through a unique signature look.

All furniture is designed and manufactured to meet or exceed ANSI-BIFMA standards. Standard construction uses a combination of 3/4" and metal to metal commercial grade connections for solid enduring assembly. The newest edge banding technology, in which the edge tape is melted directly to the edge of the board, enables BRC to manufacture products with virtually invisible glue lines.

The BRC Team works hard to earn and keep your business - our success depends on it. If you have any questions or inquires, please contact us at info@brc.group or toll free at 1-877-260-4309.

We appreciate your business and look forward to hearing from you.

Warranty, Terms & Conditions

BRC is pleased to offer one of the most competitive warranties in the industry. All furniture products carry a 12 year limited structural warranty. BRC furniture panel and table electrical cabling carry a 3 year limited warranty. All moving user adjustable components carry a 5 year limited structural warranty. All other electrical or electronic elements of BRC furniture carry a 1 year limited warranty.

For full warranty details, terms and conditions, please visit www.brc.group/warranty

Shipping Rates & Policies

Shipping costs are calculated based on net order value and destination. In many cases, the freight cost may be included in your order. For detailed information, visit our website at www.brc.group/freight

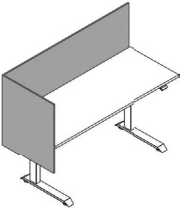
General Guidance & Ordering

PRODUCT NAME & DESCRIPTION: Straight Partial Privacy Screen for 23" Deep Tables MPSHP

NOMINAL OR ACTUAL SIZE IN INCHES

ALL PRICES IN LIST

PRODUCT CODE



NOMINAL SIZE			
WIDTH	DEPTH	HEIGHT	PRICE
38	17	29	624
39	17	29	714
41	17	29	723
45	17	29	732
46	17	29	785
50	17	29	839
51	17	29	843
53	17	29	847
56	17	29	849
57	17	29	852
58	17	29	854
59	17	29	857
62	17	29	869
65	17	29	882
70	17	29	922
76	17	29	1001
82	17	29	1079
38	23	29	657
39	23	29	752
41	23	29	761
45	23	29	771
46	23	29	826
50	23	29	883
51	23	29	887
53	23	29	891
56	23	29	894
57	23	29	897
58	23	29	899
59	23	29	902
62	23	29	915
65	23	29	928
70	23	29	970
76	23	29	1054
82	23	29	1136

HYPERLINK TO OTHER ITEMS WITHIN DOCUMENT

USE THIS CHART AS REFERENCE FOR ORDERING SIZES WHEN INSTALLING ON A DESK WITH AN INTEGRATED CREDENZA. FOR INSTANCE, A TABLE WIDTH OF 70" INSTALLED INTO A 24" DEEP CREDENZA, THE IDEAL SCREEN WIDTH IS 45"

TABLE WIDTH	CREDENZA DEPTHS			
	16	18.75	24	30
46	-	-	-	-
58	41	38	-	-
70	53	50	45	39
76	59	56	51	45
82	65	62	57	51

SCREEN WIDTHS

ORDER CODE SAMPLE				
ITEM CODE	WIDTH	DEPTH	HEIGHT	HAND
MPSHP	W82	D23	H29	R

DESCRIPTION OF FEATURES AND INCLUDED ITEMS

USE THIS EXAMPLE AS A GUIDE TO ORDER. SEE BOTTOM OF PAGE FOR MORE DETAIL

OPTIONS AND FEATURES AVAILABLE AT NO EXTRA CHARGE

Features & Specifications

- Screen constructed from 1/2" thick tackable material
- Includes mounting hardware bracket with integrated wire management
- Provides 18" above and 10" below the surface
- Specify left (L) or right (R) hand
- Depth and widths are nominal, measuring 1.125" more than the listed size

No Charge Options

- Screen available in all standard Softscape finishes
- Hardware available in all standard metal finishes

PRODUCT

SIZE

ORDER CODE SAMPLE				
ITEM CODE	WIDTH	DEPTH	HEIGHT	HAND
MPSHP	W82	D23	H29	R

DARKER GREY BOXES CONTAIN CODE DESCRIPTIONS

LIGHT GREY BOXES INDICATE MANDATORY SELECTION FOR ORDERING

INDICATES HANDEDNESS

PURCHASE ORDER LINE ITEMS FOR ABOVE: **MPSHP W82 D23 H29 R**

PRODUCT MAP

FINISHES

STRAIGHT VERSION

CURVED VERSION

www.brc.group

General Specifications

Summary

BRC's Softscape series of acoustic panels offers the ability to add privacy and sound reducing capabilities. Designed specifically for the Mesa height adjustable series, the privacy screen and modesties are a perfect addition to our best selling table.

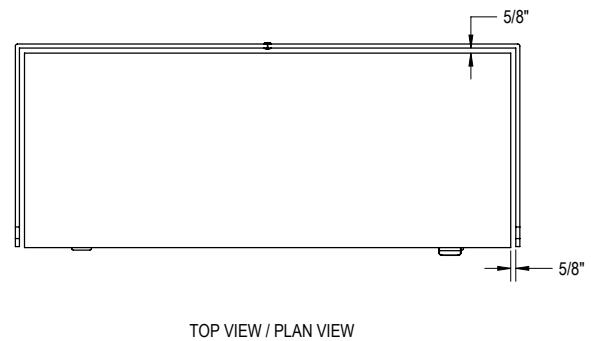
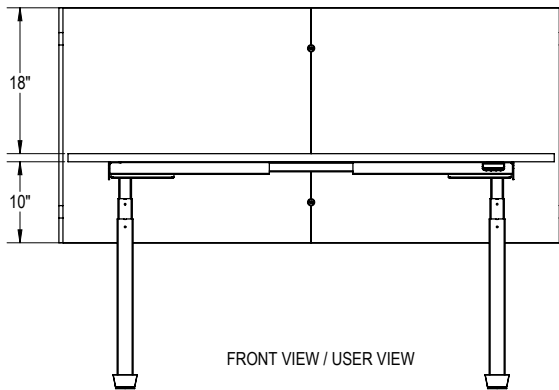
What is PET?

BRC's Softscape material is made from partially recycled Polyethylene Terephthalate or PET. PET is a strong and versatile thermoplastic polyester widely used in a lot of everyday products such as beverage bottles, food container and textile fibers. PET is known for being lightweight, durable and highly recyclable, in fact, PET is the most recycled type of plastic.

Dimensions

Privacy screens are manufactured to have 18" above the worksurface and 10" below the worksurface. These dimensions are fixed and cannot be changed in the field.

The privacy screen brackets have been designed with integrated wire management and should be installed so there is a 5/8" / 16mm gap between the screen and the edge of the worksurface.



Custom Sizing

BRC has built a reputation on custom tailored product based on our standard offering. Most items can be ordered in sizes that are not listed in this price guide, especially sizes that are between the minimum and maximum sizes offered. Please contact your BRC representative to help with your custom project.

Cleaning & Maintenance

BEST PRACTICES

To keep your furniture products looking their best, BRC recommends the following general care and maintenance:

Low Pressure (LPL) LAMINATES Cleaning:

Dust laminated surfaces off prior to cleaning. Wet a damp cloth with water, a mild soap or one of our approved cleaning products. Do not use abrasive cleaners as they may scratch or affect the surface appearance. Wipe the surface with the grain (where applicable) using a dry soft cloth.

Approved cleaning products: Glass Plus®, Dawn®, Pledge®, Mr. Clean®, Windex®,
For disinfecting surfaces use products such as: LYSOL®, VIREX®, PURELL®, VIROX®

After use of the above disinfectants ensure that the surfaces are wiped with a damp cloth to remove any product residue.

Take note that any product with Hydrochloric, Sulfuric, or Phosphoric acid may permanently damage the surface. Abrasive elements and excessively acidic or alkaline solutions should be avoided. Prolonged exposure to wet surfaces and/or direct contact with water should be avoided.

High Pressure (HPL) LAMINATES Cleaning:

Dust laminated surfaces off prior to cleaning. Wet a damp cloth with water, a mild soap or one of our approved cleaning products. Do not use abrasive cleaners as they may scratch or affect the surface appearance. Wipe the surface with the grain (where applicable) using a dry soft cloth.

Approved cleaning products: Glass Plus®, Dawn®, Pledge®, Mr. Clean®, Windex®,
For disinfecting surfaces use products such as: LYSOL®, VIREX®, PURELL®, VIROX®, Fantastik®, multi-surface disinfectant, Clorox® Disinfecting Wipes, Caviwipes™, Cavicide™

After use of the above disinfectants ensure that the surfaces are wiped with a damp cloth to remove any product residue.

Take note that any product with Hydrochloric, Sulfuric, or Phosphoric acid may permanently damage the surface. Abrasive elements and excessively acidic or alkaline solutions should be avoided. Prolonged exposure to wet surfaces and/or direct contact with water should be avoided.

Acrylic Tiles And Panels:

Dust regularly to keep surfaces free of dust particles. Clean any dirt or stain with a damp cloth. Do not use chemical cleaners or window cleaners as it may alter or permanently affect the surface appearance.

Tempered & Laminated Glass:

Dust regularly to keep surfaces free of dust particles. Clean any dirt or stain with a damp cloth. Do not use chemical cleaners or window cleaners as it may alter or permanently affect the surface appearance.

Edge Trim:

To remove minor scuff marks and general dirt from bases and connectors, use warm water and a soft cloth. Do not use harsh abrasive cleaners, as they may cause permanent scratches on the surface.

Painted Metals:

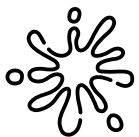
Clean these products, use a damp cloth, using only a small amount of lukewarm water if necessary. Abrasive elements and excessively acidic or alkaline solutions should be avoided. Prolonged exposure to wet surfaces and/or direct contact with water should be avoided.

Standard Fabrics & Softscape PET:

Standard Care Label W-S. Clean with water based cleaning agents, foam or pure, water free solvents. Vacuuming or light brushing is recommended to prevent dust and soil buildup.

Bleach Cleanable Fabrics:

Bleach is an effective disinfectant, which means it kills most bacteria, fungi and viruses. When fabrics need to be disinfected or sterilized, use a 1:10 household bleach-to-water solution.



Do not saturate or soak furniture with cleaner

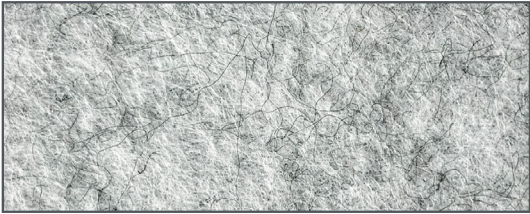


Use spray or damp cloth only

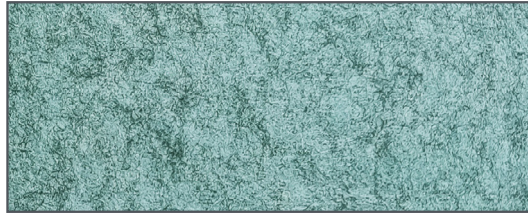


Wipe with damp cloth using fresh water after cleaning

Softscape Standard Finishes



silver P109



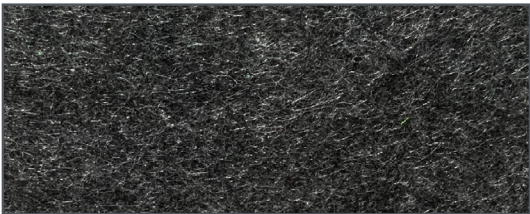
hazy blue P104



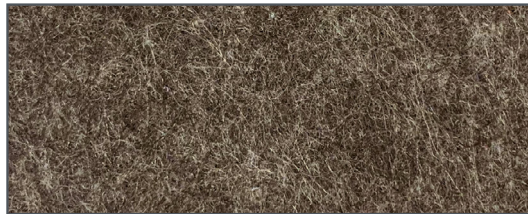
seaweed P107



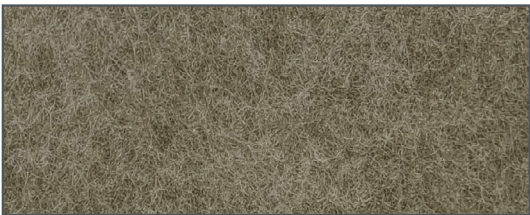
light tan P105



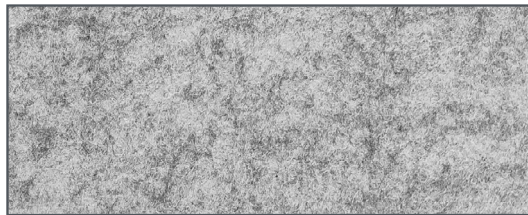
sesame P108



coffee P101



umber P110



fossil P103



maroon P106



dark blue P102

PRODUCT MAP

FINISHES

STRAIGHT VERSION

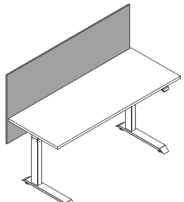
CURVED VERSION

 www.brc.group

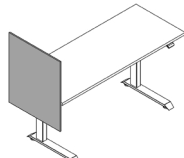
Product Map

Introduction & Specifications

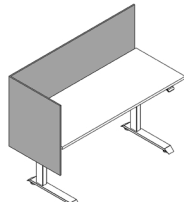
Straight



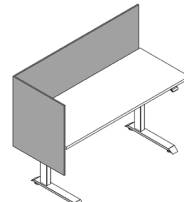
MPSSP



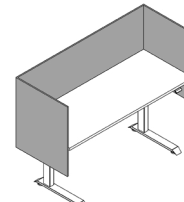
MPSEP



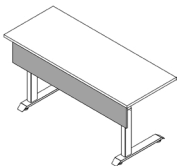
MPSHP 23"



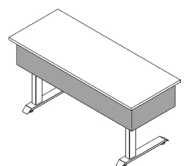
MPSHP 29"



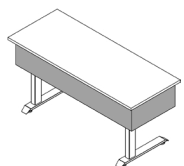
MPSFP



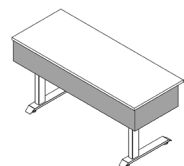
MPMSP



MPMHP 23"



MPMHP 29"

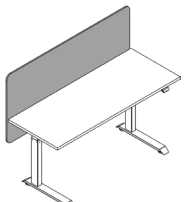


MPMFP

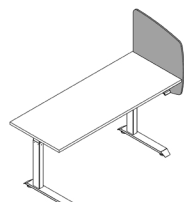


MPFSP

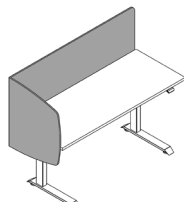
Curved



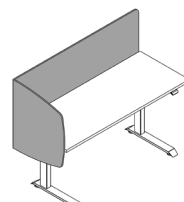
MSSSP



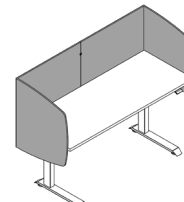
MSSEP



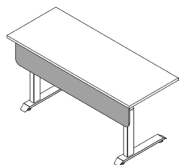
MSSHP 23"



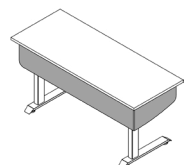
MSSHP 29"



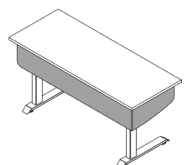
MSSFP



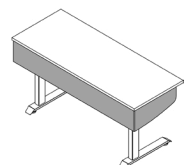
MSMSP



MSMHP 23"



MSMHP 29"



MSMFP



MSFSP

PRODUCT MAP

FINISHES

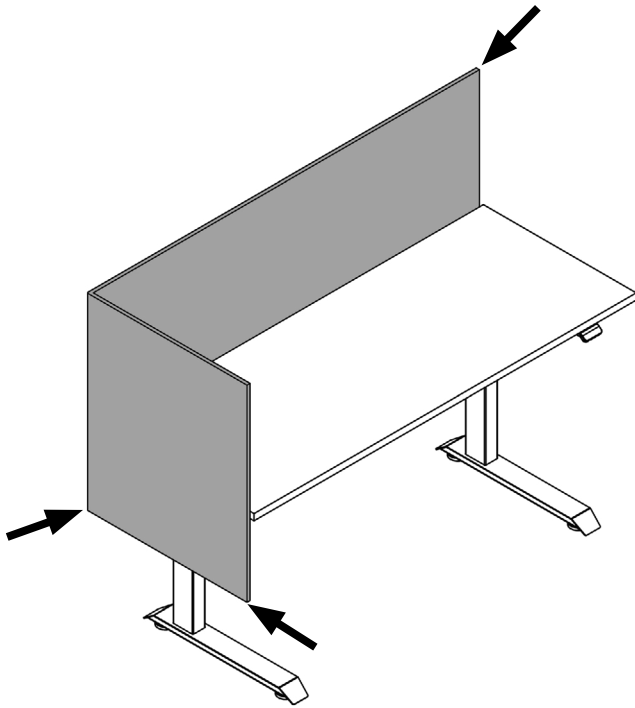
STRAIGHT VERSION

CURVED VERSION

 www.brc.group

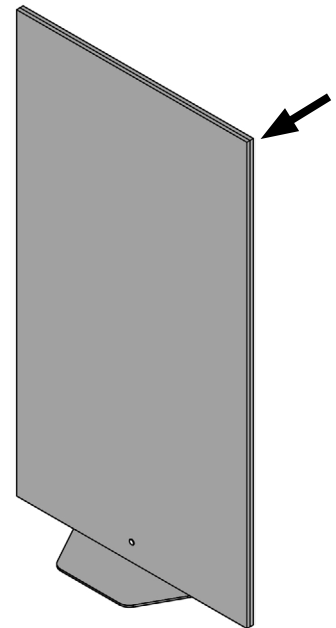
Softscape Straight Version

BRC Softscape series of acoustic screens are available in two distinct designs - Straight and Curved. The features of the Straight design are detailed below.



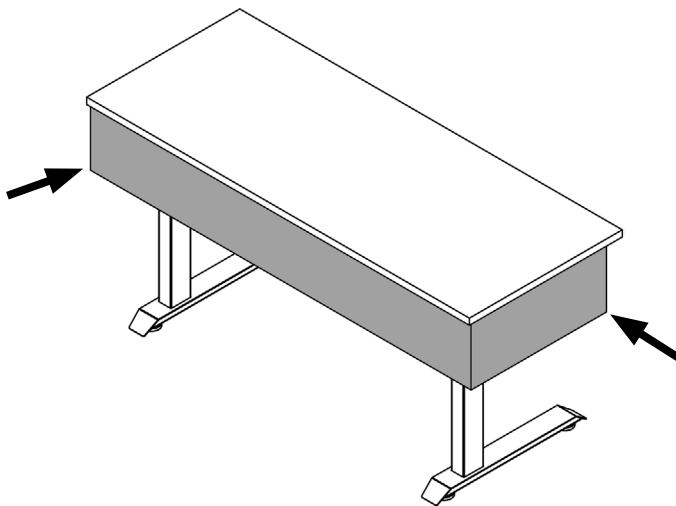
Desk Screens:

- All panels are square, no curves
- All corner edges have a 0.5"/12mm radius
- The desk corners are 90 degrees



Freestanding Screens:

- All panels are square, no curves
- All corner edges have a 0.5"/12mm radius

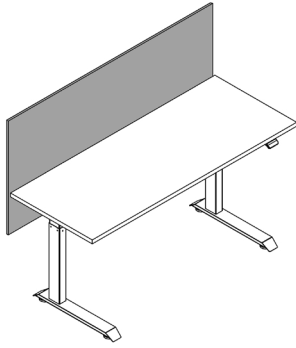


Modesty Panels:

- All panels are square, no curves
- All corner edges have a 0.5"/12mm radius
- The desk corners are 90 degrees

Straight Rear Privacy Screen

MPSSP



Integrated Table Application

Features & Specifications

No Charge Options

NOMINAL SIZE		
WIDTH	HEIGHT	PRICE
38	29	387
39	29	396
41	29	405
45	29	411
46	29	415
50	29	527
51	29	554
53	29	560
56	29	562
57	29	565
58	29	574
59	29	585
62	29	604
65	29	623
70	29	642
76	29	676
82	29	730

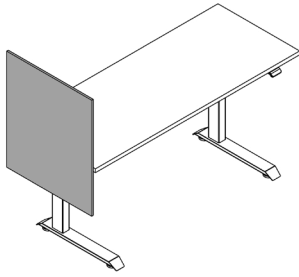
TABLE WIDTH	CREDENZA DEPTHS			
	16	18.75	24	30
46	-	-	-	-
58	41	38	-	-
70	53	50	45	39
76	59	56	51	45
82	65	62	57	51
	SCREEN WIDTHS			

ORDER CODE SAMPLE		
ITEM CODE	WIDTH	HEIGHT
MPSSP	W59	D29

- Screen constructed from 1/2" thick tackable material
- Includes mounting hardware bracket with integrated wire management
- Provides 18" above and 10" below the surface
- Screen available in all standard Softscape finishes
- Hardware available in all standard metal finishes

Straight Side Privacy Screen

MPSEP



NOMINAL SIZE		
WIDTH	HEIGHT	PRICE
17	29	289
23	29	298
29	29	377
35	29	387

Features & Specifications

No Charge Options

ORDER CODE SAMPLE		
ITEM CODE	WIDTH	HEIGHT
MPSEP	W39	D29

- Screen constructed from 1/2" thick tackable material
- Includes mounting hardware bracket
- Provides 18" above and 10" below the surface
- Screen available in all standard Softscape finishes
- Hardware available in all standard metal finishes

PRODUCT MAP

FINISHES

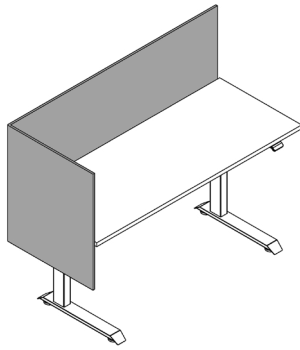
STRAIGHT VERSION

CURVED VERSION

 www.brc.group

Straight Partial Privacy Screen for 23" Deep Tables

MPSHP



Integrated Table Application

Features & Specifications

No Charge Options

NOMINAL SIZE			
WIDTH	DEPTH	HEIGHT	PRICE
38	17	29	624
39	17	29	714
41	17	29	723
45	17	29	732
46	17	29	785
50	17	29	839
51	17	29	843
53	17	29	847
56	17	29	849
57	17	29	852
58	17	29	854
59	17	29	857
62	17	29	869
65	17	29	882
70	17	29	922
76	17	29	1001
82	17	29	1079
38	23	29	657
39	23	29	752
41	23	29	761
45	23	29	771
46	23	29	826
50	23	29	883
51	23	29	887
53	23	29	891
56	23	29	894
57	23	29	897
58	23	29	899
59	23	29	902
62	23	29	915
65	23	29	928
70	23	29	970
76	23	29	1054
82	23	29	1136

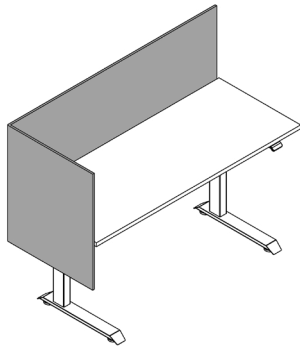
TABLE WIDTH	CREDENZA DEPTHS			
	16	18.75	24	30
46	-	-	-	-
58	41	38	-	-
70	53	50	45	39
76	59	56	51	45
82	65	62	57	51
	SCREEN WIDTHS			

ORDER CODE SAMPLE				
ITEM CODE	WIDTH	DEPTH	HEIGHT	HAND
MPSHP	W82	D23	H29	R

- Screen constructed from 1/2" thick tackable material
- Includes mounting hardware bracket with integrated wire management
- Provides 18" above and 10" below the surface
- Specify left (L) or right (R) hand
- Depth and widths are nominal, measuring 1.125" more than the listed size
- Screen available in all standard Softscape finishes
- Hardware available in all standard metal finishes

Straight Partial Privacy Screen for 29" Deep Tables

MPSHP



Integrated Table Application

Features & Specifications

No Charge Options

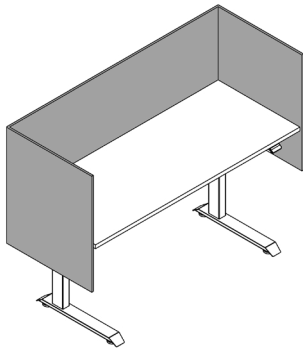
NOMINAL SIZE			
WIDTH	DEPTH	HEIGHT	PRICE
38	23	29	657
39	23	29	752
41	23	29	761
45	23	29	771
46	23	29	826
50	23	29	883
51	23	29	887
53	23	29	891
56	23	29	894
57	23	29	897
58	23	29	899
59	23	29	902
62	23	29	915
65	23	29	928
70	23	29	970
76	23	29	1054
82	23	29	1136
38	29	29	760
39	29	29	771
41	29	29	826
45	29	29	883
46	29	29	890
50	29	29	897
51	29	29	899
53	29	29	902
56	29	29	906
57	29	29	910
58	29	29	915
59	29	29	928
62	29	29	947
65	29	29	966
70	29	29	1013
76	29	29	1099
82	29	29	1187

TABLE WIDTH	CREDENZA DEPTHS			
	16	18.75	24	30
46	-	-	-	-
58	41	38	-	-
70	53	50	45	39
76	59	56	51	45
82	65	62	57	51
	SCREEN WIDTHS			

ORDER CODE SAMPLE				
ITEM CODE	WIDTH	DEPTH	HEIGHT	HAND
MPSHP	W82	D23	H29	R

- Screen constructed from 1/2" thick tackable material
- Includes mounting hardware bracket with integrated wire management
- Provides 18" above and 10" below the surface
- Specify left (L) or right (R) hand
- Depth and widths are nominal, measuring 1.125" more than the listed size
- Screen available in all standard Softscape finishes
- Hardware available in all standard metal finishes

PRODUCT MAP
FINISHES
STRAIGHT VERSION
CURVED VERSION
www.brc.group



For 23" Deep Tables

NOMINAL SIZE			
WIDTH	DEPTH	HEIGHT	PRICE
46	17	29	995
58	17	29	1034
70	17	29	1054
76	17	29	1165
82	17	29	1257
46	23	29	1047
58	23	29	1089
70	23	29	1110
76	23	29	1226
82	23	29	1323

For 29" Deep Tables

NOMINAL SIZE			
WIDTH	DEPTH	HEIGHT	PRICE
46	23	29	1047
58	23	29	1089
70	23	29	1110
76	23	29	1226
82	23	29	1323
46	29	29	1072
58	29	29	1113
70	29	29	1134
76	29	29	1251
82	29	29	1328

ORDER CODE SAMPLE			
ITEM CODE	WIDTH	DEPTH	HEIGHT
MPSFP	W58	D23	D29

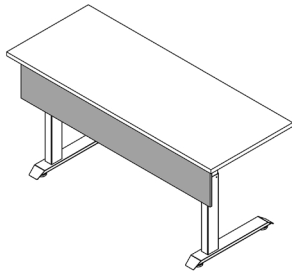
Features & Specifications

No Charge Options

- Screen constructed from 1/2" thick tackable material
- Includes mounting hardware bracket
- Provides 18" above and 10" below the surface
- For 23" depths, widths of 76" and above will be constructed in two pieces
- For 29" depths, widths of 70" and above will be constructed in two pieces
- Alignment clip included with two piece screens
- Screen available in all standard Softscape finishes
- Hardware available in all standard metal finishes

Straight Modesty Panel

MPMSP



NOMINAL SIZE			
WIDTH	DEPTH	HEIGHT	PRICE
35	23	10	350
37	23	10	356
38	23	10	360
41	23	10	365
46	23	10	383
47	23	10	401
49	23	10	437
50	23	10	441
52	23	10	443
53	23	10	446
55	23	10	450
58	23	10	467
61	23	10	473
62	23	10	477
68	23	10	492
74	23	10	536
35	23	18	363
37	29	18	370
38	29	18	373
41	29	18	376
46	29	18	395
47	29	18	413
49	29	18	448
50	29	18	454
52	29	18	457
53	29	18	460
55	29	18	464
58	29	18	479
61	29	18	484
62	29	18	490
68	29	18	505
74	29	18	551

Integrated Table Application

TABLE WIDTH	CREDENZA DEPTHS			
	16	18.75	24	30
46	-	-	-	-
58	42	-	-	-
70	49	46	41	35
76	55	52	47	41
82	61	58	53	47
	SCREEN WIDTHS			

ORDER CODE SAMPLE			
ITEM CODE	WIDTH	DEPTH	HEIGHT
MPMSP	W50	D29	H18

Features & Specifications

- Screen constructed from 1/2" thick material
- Includes mounting hardware bracket with integrated wire management
- Can be installed flush to worksurface underside or with a gap for wire management
- The modesty is sized to be 8" less than table width (eg: 58" table width uses 50" modesty)

No Charge Options

- Screen available in all standard Softscape finishes
- Hardware available in all standard metal finishes

PRODUCT MAP

FINISHES

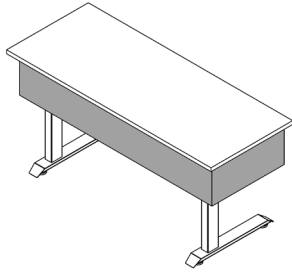
STRAIGHT VERSION

CURVED VERSION

www.brc.group

Straight Partial Modesty Panel for 23" Deep Tables

MPMHP



NOMINAL SIZE			
WIDTH	DEPTH	HEIGHT	PRICE
38	17	10	610
39	17	10	646
41	17	10	681
45	17	10	708
46	17	10	736
50	17	10	739
51	17	10	741
53	17	10	743
56	17	10	745
57	17	10	746
58	17	10	747
59	17	10	751
62	17	10	753
65	17	10	789
70	17	10	824
76	17	10	895
82	17	10	966
38	23	10	643
39	23	10	680
41	23	10	717
45	23	10	746
46	23	10	775
50	23	10	778
51	23	10	780
53	23	10	782
56	23	10	784
57	23	10	785
58	23	10	786
59	23	10	791
62	23	10	793
65	23	10	831
70	23	10	867
76	23	10	942
82	23	10	1016

Integrated Table Application

TABLE WIDTH	CREDENZA DEPTHS			
	16	18.75	24	30
46	-	-	-	-
58	41	38	-	-
70	53	50	45	39
76	59	56	51	45
82	65	62	57	51
	SCREEN WIDTHS			

ORDER CODE SAMPLE				
ITEM CODE	WIDTH	DEPTH	HEIGHT	HAND
MPMHP	W82	D17	H10	R

Features & Specifications

- Screen constructed from 1/2" thick material
- Includes mounting hardware bracket with integrated wire management
- Can be installed flush to worksurface underside or with a gap for wire management
- Specify left (L) or right (R) hand

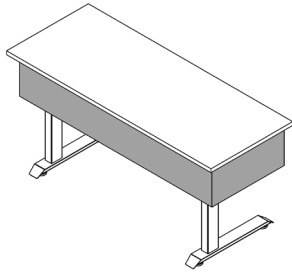
No Charge Options

- Screen available in all standard Softscape finishes
- Hardware available in all standard metal finishes

PRODUCT MAP
FINISHES
STRAIGHT VERSION
CURVED VERSION
www.brc.group

Straight Partial Modesty Panel for 29" Deep Tables

MPMHP



NOMINAL SIZE			
WIDTH	DEPTH	HEIGHT	PRICE
38	23	10	643
39	23	10	680
41	23	10	717
45	23	10	746
46	23	10	775
50	23	10	778
51	23	10	780
53	23	10	782
56	23	10	784
57	23	10	785
58	23	10	786
59	23	10	791
62	23	10	793
65	23	10	831
70	23	10	867
76	23	10	942
82	23	10	1016
38	29	10	654
39	29	10	692
41	29	10	729
45	29	10	740
46	29	10	752
50	29	10	762
51	29	10	779
53	29	10	796
56	29	10	797
57	29	10	798
58	29	10	799
59	29	10	802
62	29	10	805
65	29	10	843
70	29	10	882
76	29	10	958
82	29	10	1033

Integrated Table Application

TABLE WIDTH	CREDENZA DEPTHS			
	16	18.75	24	30
46	-	-	-	-
58	41	38	-	-
70	53	50	45	39
76	59	56	51	45
82	65	62	57	51
	SCREEN WIDTHS			

ORDER CODE SAMPLE				
ITEM CODE	WIDTH	DEPTH	HEIGHT	HAND
MPMHP	W50	D23	H10	R

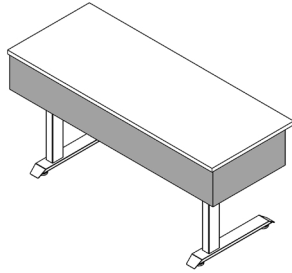
Features & Specifications

- Screen constructed from 1/2" thick material
- Includes mounting hardware bracket with integrated wire management
- Can be installed flush to worksurface underside or with a gap for wire management
- Specify left (L) or right (R) hand

No Charge Options

- Screen available in all standard Softscape finishes
- Hardware available in all standard metal finishes

PRODUCT MAP
FINISHES
STRAIGHT VERSION
CURVED VERSION
www.brc.group



For 23" Deep Tables

NOMINAL SIZE			
WIDTH	DEPTH	HEIGHT	PRICE
46	17	10	930
58	17	10	959
70	17	10	989
76	17	10	1074
82	17	10	1159
46	23	10	979
58	23	10	1009
70	23	10	1041
76	23	10	1131
82	23	10	1220

For 29" Deep Tables

NOMINAL SIZE			
WIDTH	DEPTH	HEIGHT	PRICE
46	23	10	979
58	23	10	1009
70	23	10	1041
76	23	10	1131
82	23	10	1220
46	29	10	990
58	29	10	1022
70	29	10	1053
76	29	10	1145
82	29	10	1235

ORDER CODE SAMPLE			
ITEM CODE	WIDTH	DEPTH	HEIGHT
MPMFP	W58	D23	D10

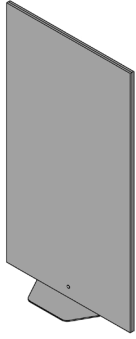
Features & Specifications

No Charge Options

- Screen constructed from 1/2" thick material
- Includes mounting hardware bracket with integrated wire management
- For 23" depths, widths of 76" and above will be constructed in two pieces
- For 29" depths, widths of 70" and above will be constructed in two pieces
- Alignment clip included with two piece screens
- Can be installed flush to worksurface underside or with a gap for wire management
- Screen available in all standard Softscape finishes
- Hardware available in all standard metal finishes

Straight Freestanding Privacy Screen

MPFSP



NOMINAL SIZE		
WIDTH	HEIGHT	PRICE
36	48	2048
36	54	2055
36	60	2059
36	66	2065
36	72	2071

ORDER CODE SAMPLE		
ITEM CODE	WIDTH	HEIGHT
MPFSP	W36	D54

Features & Specifications

- Screen constructed from 1" thick tackable material
- Base is 13" deep on all sizes

No Charge Options

- Screen available in all standard Softscape finishes
- Hardware available in all standard metal finishes

PRODUCT MAP

FINISHES

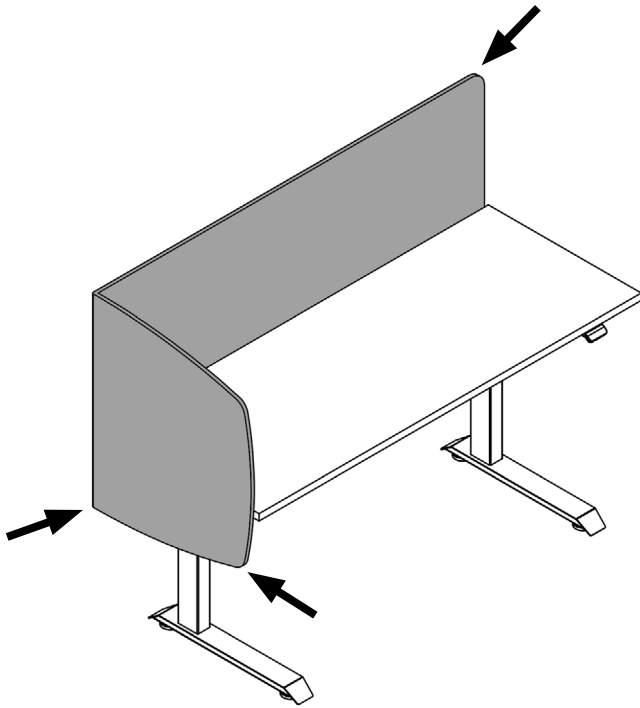
STRAIGHT VERSION

CURVED VERSION

 www.brc.group

Softscape Curved Version

BRC Softscape series of acoustic screens are available in two distinct designs - Straight and Curved. The features of the Curved design are detailed below.

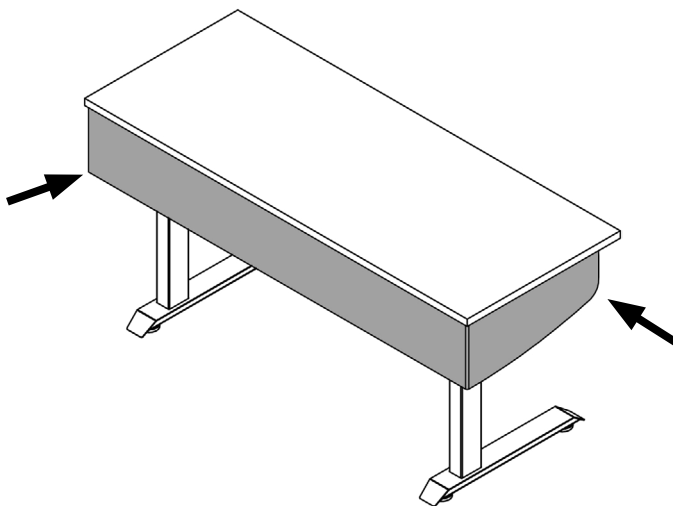
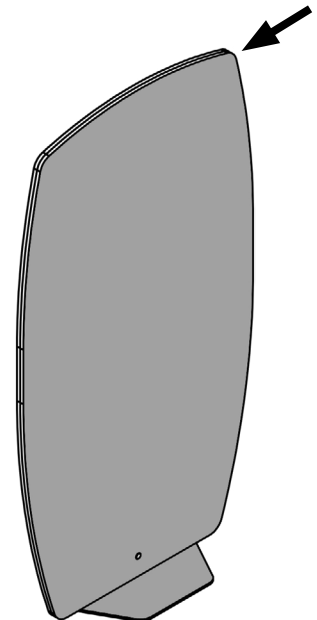


Desk Screens:

- All panels are square, no curves
- All corner edges have a 0.5"/12mm radius
- The desk corners are 90 degrees

Freestanding Screens:

- All panels are square, no curves
- All corner edges have a 0.5"/12mm radius

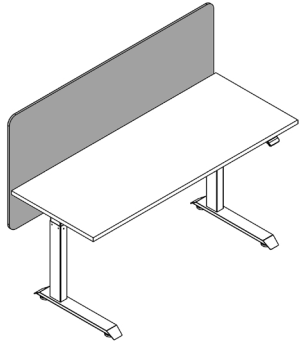


Modesty Panels:

- All panels are square, no curves
- All corner edges have a 0.5"/12mm radius
- The desk corners are 90 degrees

Curved Rear Privacy Screen

MSSSP



Integrated Table Application

Features & Specifications

No Charge Options

NOMINAL SIZE		
WIDTH	HEIGHT	PRICE
38	29	406
39	29	415
41	29	424
45	29	430
46	29	434
50	29	546
51	29	573
53	29	579
56	29	581
57	29	584
58	29	593
59	29	604
62	29	623
65	29	642
70	29	661
76	29	695
82	29	749

TABLE WIDTH	CREDENZA DEPTHS			
	16	18.75	24	30
46	-	-	-	-
58	41	38	-	-
70	53	50	45	39
76	59	56	51	45
82	65	62	57	51
	SCREEN WIDTHS			

ORDER CODE SAMPLE		
ITEM CODE	WIDTH	HEIGHT
MSSSP	W59	D29

- Screen constructed from 1/2" thick tackable material
- Includes mounting hardware bracket with integrated wire management
- Provides 18" above and 10" below the surface
- Screen available in all standard Softscape finishes
- Hardware available in all standard metal finishes

PRODUCT MAP

FINISHES

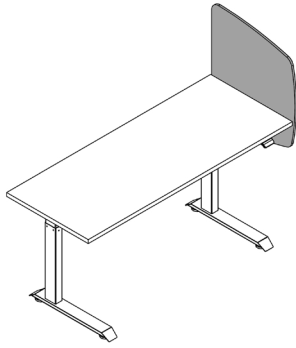
STRAIGHT VERSION

CURVED VERSION

www.brc.group

Curved Side Privacy Screen

MSSEP



NOMINAL SIZE		
WIDTH	HEIGHT	PRICE
17	29	308
23	29	317
29	29	396
35	29	406

Features & Specifications

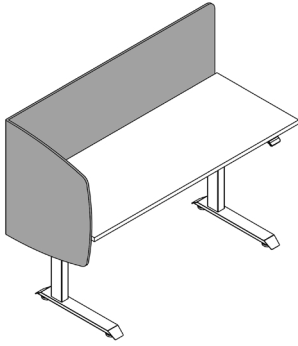
- Screen constructed from 1/2" thick tackable material
- Includes mounting hardware bracket
- Provides 18" above and 10" below the surface
- Specify left (L) or right (R) hand

No Charge Options

- Screen available in all standard Softscape finishes
- Hardware available in all standard metal finishes

ORDER CODE SAMPLE			
ITEM CODE	WIDTH	HEIGHT	HAND
MSSEP	W39	D29	R

PRODUCT MAP
FINISHES
STRAIGHT VERSION
CURVED VERSION
www.brc.group



Integrated Table Application

Features & Specifications

No Charge Options

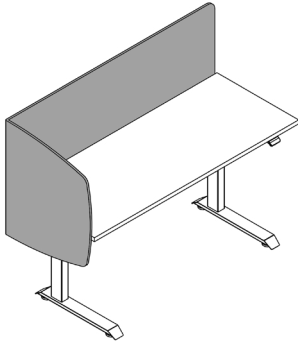
NOMINAL SIZE			
WIDTH	DEPTH	HEIGHT	PRICE
38	17	29	643
39	17	29	733
41	17	29	742
45	17	29	751
46	17	29	804
50	17	29	858
51	17	29	862
53	17	29	866
56	17	29	868
57	17	29	871
58	17	29	873
59	17	29	876
62	17	29	888
65	17	29	901
70	17	29	941
76	17	29	1020
82	17	29	1098
38	23	29	676
39	23	29	771
41	23	29	780
45	23	29	790
46	23	29	845
50	23	29	902
51	23	29	906
53	23	29	910
56	23	29	913
57	23	29	916
58	23	29	918
59	23	29	921
62	23	29	934
65	23	29	947
70	23	29	989
76	23	29	1073
82	23	29	1155

TABLE WIDTH	CREDENZA DEPTHS			
	16	18.75	24	30
46	-	-	-	-
58	41	38	-	-
70	53	50	45	39
76	59	56	51	45
82	65	62	57	51
	SCREEN WIDTHS			

ORDER CODE SAMPLE				
ITEM CODE	WIDTH	DEPTH	HEIGHT	HAND
MSSHP	W82	D23	H29	R

- Screen constructed from 1/2" thick tackable material
- Includes mounting hardware bracket with integrated wire management
- Provides 18" above and 10" below the surface
- Specify left (L) or right (R) hand
- Depth and widths are nominal, measuring 1.125" more than the listed size
- Screen available in all standard Softscape finishes
- Hardware available in all standard metal finishes

PRODUCT MAP
FINISHES
STRAIGHT VERSION
CURVED VERSION
www.brc.group



Integrated Table Application

Features & Specifications

No Charge Options

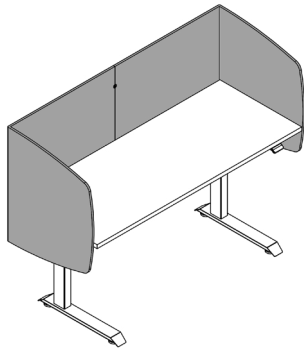
NOMINAL SIZE			
WIDTH	DEPTH	HEIGHT	PRICE
38	23	29	676
39	23	29	771
41	23	29	780
45	23	29	790
46	23	29	845
50	23	29	902
51	23	29	906
53	23	29	910
56	23	29	913
57	23	29	916
58	23	29	918
59	23	29	921
62	23	29	934
65	23	29	947
70	23	29	989
76	23	29	1073
82	23	29	1155
38	29	29	779
39	29	29	790
41	29	29	845
45	29	29	902
46	29	29	909
50	29	29	916
51	29	29	918
53	29	29	921
56	29	29	925
57	29	29	929
58	29	29	934
59	29	29	947
62	29	29	966
65	29	29	985
70	29	29	1032
76	29	29	1118
82	29	29	1206

TABLE WIDTH	CREDENZA DEPTHS			
	16	18.75	24	30
46	-	-	-	-
58	41	38	-	-
70	53	50	45	39
76	59	56	51	45
82	65	62	57	51
SCREEN WIDTHS				

ORDER CODE SAMPLE				
ITEM CODE	WIDTH	DEPTH	HEIGHT	HAND
MSSHP	W82	D23	H29	R

- Screen constructed from 1/2" thick tackable material
- Includes mounting hardware bracket with integrated wire management
- Provides 18" above and 10" below the surface
- Specify left (L) or right (R) hand
- Depth and widths are nominal, measuring 1.125" more than the listed size
- Screen available in all standard Softscape finishes
- Hardware available in all standard metal finishes

PRODUCT MAP
FINISHES
STRAIGHT VERSION
CURVED VERSION
www.brc.group



For 23" Deep Tables

NOMINAL SIZE			
WIDTH	DEPTH	HEIGHT	PRICE
46	17	29	1014
58	17	29	1053
70	17	29	1073
76	17	29	1184
82	17	29	1276
46	23	29	1066
58	23	29	1108
70	23	29	1129
76	23	29	1245
82	23	29	1342

For 29" Deep Tables

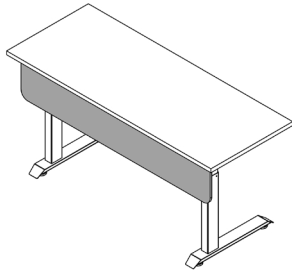
NOMINAL SIZE			
WIDTH	DEPTH	HEIGHT	PRICE
46	23	29	1066
58	23	29	1108
70	23	29	1129
76	23	29	1245
82	23	29	1342
46	29	29	1091
58	29	29	1132
70	29	29	1153
76	29	29	1270
82	29	29	1347

ORDER CODE SAMPLE			
ITEM CODE	WIDTH	DEPTH	HEIGHT
MSSFP	W58	D23	D29

Features & Specifications

No Charge Options

- Screen constructed from 1/2" thick tackable material
- Includes mounting hardware bracket
- Provides 18" above and 10" below the surface
- For 23" depths, widths of 76" and above will be constructed in two pieces
- For 29" depths, widths of 70" and above will be constructed in two pieces
- Alignment clip included with two piece screens
- Screen available in all standard Softscape finishes
- Hardware available in all standard metal finishes



NOMINAL SIZE			
WIDTH	DEPTH	HEIGHT	PRICE
35	23	10	369
37	23	10	375
38	23	10	379
41	23	10	384
46	23	10	402
47	23	10	420
49	23	10	456
50	23	10	460
52	23	10	462
53	23	10	465
55	23	10	469
58	23	10	486
61	23	10	492
62	23	10	496
68	23	10	511
74	23	10	555
35	23	18	382
37	29	18	389
38	29	18	392
41	29	18	395
46	29	18	414
47	29	18	432
49	29	18	467
50	29	18	473
52	29	18	476
53	29	18	479
55	29	18	483
58	29	18	498
61	29	18	503
62	29	18	509
68	29	18	524
74	29	18	570

Integrated Table Application

TABLE WIDTH	CREDENZA DEPTHS			
	16	18.75	24	30
46	-	-	-	-
58	42	-	-	-
70	49	46	41	35
76	55	52	47	41
82	61	58	53	47
	SCREEN WIDTHS			

ORDER CODE SAMPLE			
ITEM CODE	WIDTH	DEPTH	HEIGHT
MSMSP	W50	D29	H18

Features & Specifications

- Screen constructed from 1/2" thick material
- Includes mounting hardware bracket with integrated wire management
- Can be installed flush to worksurface underside or with a gap for wire management
- The modesty is sized to be 8" less than table width (eg: 58" table width uses 50" modesty)

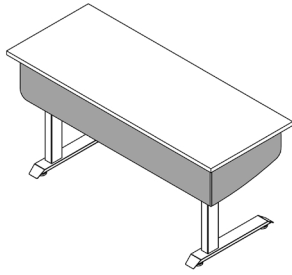
No Charge Options

- Screen available in all standard Softscape finishes
- Hardware available in all standard metal finishes

PRODUCT MAP
FINISHES
STRAIGHT VERSION
CURVED VERSION
www.brc.group

Curved Partial Modesty Panel for 23" Deep Tables

MSMHP



NOMINAL SIZE

WIDTH	DEPTH	HEIGHT	PRICE
38	17	10	629
39	17	10	665
41	17	10	700
45	17	10	727
46	17	10	755
50	17	10	758
51	17	10	760
53	17	10	762
56	17	10	764
57	17	10	765
58	17	10	766
59	17	10	770
62	17	10	772
65	17	10	808
70	17	10	843
76	17	10	914
82	17	10	985
38	23	10	662
39	23	10	699
41	23	10	736
45	23	10	765
46	23	10	794
50	23	10	797
51	23	10	799
53	23	10	801
56	23	10	803
57	23	10	804
58	23	10	805
59	23	10	810
62	23	10	812
65	23	10	850
70	23	10	886
76	23	10	961
82	23	10	1035

Integrated Table Application

TABLE WIDTH	CREDENZA DEPTHS			
	16	18.75	24	30
46	-	-	-	-
58	41	38	-	-
70	53	50	45	39
76	59	56	51	45
82	65	62	57	51
	SCREEN WIDTHS			

ORDER CODE SAMPLE

ITEM CODE	WIDTH	DEPTH	HEIGHT	HAND
MSMHP	W82	D17	H10	R

Features & Specifications

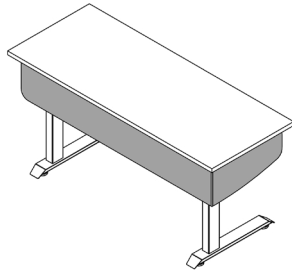
- Screen constructed from 1/2" thick material
- Includes mounting hardware bracket with integrated wire management
- Can be installed flush to worksurface underside or with a gap for wire management
- Specify left (L) or right (R) hand

No Charge Options

- Screen available in all standard Softscape finishes
- Hardware available in all standard metal finishes

Curved Partial Modesty Panel for 29" Deep Tables

MSMHP



NOMINAL SIZE

WIDTH	DEPTH	HEIGHT	PRICE
38	23	10	662
39	23	10	699
41	23	10	736
45	23	10	765
46	23	10	794
50	23	10	797
51	23	10	799
53	23	10	801
56	23	10	803
57	23	10	804
58	23	10	805
59	23	10	810
62	23	10	812
65	23	10	850
70	23	10	886
76	23	10	961
82	23	10	1035
38	29	10	673
39	29	10	711
41	29	10	748
45	29	10	759
46	29	10	771
50	29	10	781
51	29	10	798
53	29	10	815
56	29	10	816
57	29	10	817
58	29	10	818
59	29	10	821
62	29	10	824
65	29	10	862
70	29	10	901
76	29	10	977
82	29	10	1052

Integrated Table Application

TABLE WIDTH	CREDENZA DEPTHS			
	16	18.75	24	30
46	-	-	-	-
58	41	38	-	-
70	53	50	45	39
76	59	56	51	45
82	65	62	57	51
	SCREEN WIDTHS			

ORDER CODE SAMPLE

ITEM CODE	WIDTH	DEPTH	HEIGHT	HAND
MSMHP	W50	D23	H10	R

Features & Specifications

- Screen constructed from 1/2" thick material
- Includes mounting hardware bracket with integrated wire management
- Can be installed flush to worksurface underside or with a gap for wire management
- Specify left (L) or right (R) hand

No Charge Options

- Screen available in all standard Softscape finishes
- Hardware available in all standard metal finishes

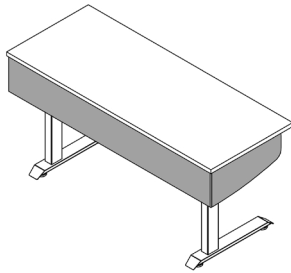
PRODUCT MAP

FINISHES

STRAIGHT VERSION

CURVED VERSION

www.brc.group



For 23" Deep Tables

NOMINAL SIZE			
WIDTH	DEPTH	HEIGHT	PRICE
46	17	10	949
58	17	10	978
70	17	10	1008
76	17	10	1093
82	17	10	1178
46	23	10	998
58	23	10	1028
70	23	10	1060
76	23	10	1150
82	23	10	1239

For 29" Deep Tables

NOMINAL SIZE			
WIDTH	DEPTH	HEIGHT	PRICE
46	23	10	998
58	23	10	1028
70	23	10	1060
76	23	10	1150
82	23	10	1239
46	29	10	1009
58	29	10	1041
70	29	10	1072
76	29	10	1164
82	29	10	1254

ORDER CODE SAMPLE			
ITEM CODE	WIDTH	DEPTH	HEIGHT
MSMFP	W58	D23	D10

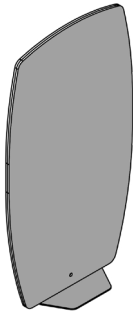
Features & Specifications

No Charge Options

- Screen constructed from 1/2" thick material
- Includes mounting hardware bracket with integrated wire management
- For 23" depths, widths of 76" and above will be constructed in two pieces
- For 29" depths, widths of 70" and above will be constructed in two pieces
- Alignment clip included with two piece screens
- Can be installed flush to worksurface underside or with a gap for wire management
- Screen available in all standard Softscape finishes
- Hardware available in all standard metal finishes

Curved Freestanding Privacy Screen

MSFSP



NOMINAL SIZE		
WIDTH	HEIGHT	PRICE
36	48	2048
36	54	2055
36	60	2059
36	66	2065
36	72	2071

ORDER CODE SAMPLE		
ITEM CODE	WIDTH	HEIGHT
MSFSP	W36	D54

Features & Specifications

- Screen constructed from 1" thick tackable material
- Base is 13" deep on all sizes

No Charge Options

- Screen available in all standard Softscape finishes
- Hardware available in all standard metal finishes

PRODUCT MAP

FINISHES

STRAIGHT VERSION

CURVED VERSION

 www.brc.group

For sales information contact: quotes@brc.group

24 Armstrong Ave
Georgetown, ON L7G 4R9
Phone: 905.873.8509
Toll Free: 1.877.260.4309
info@brc.group

